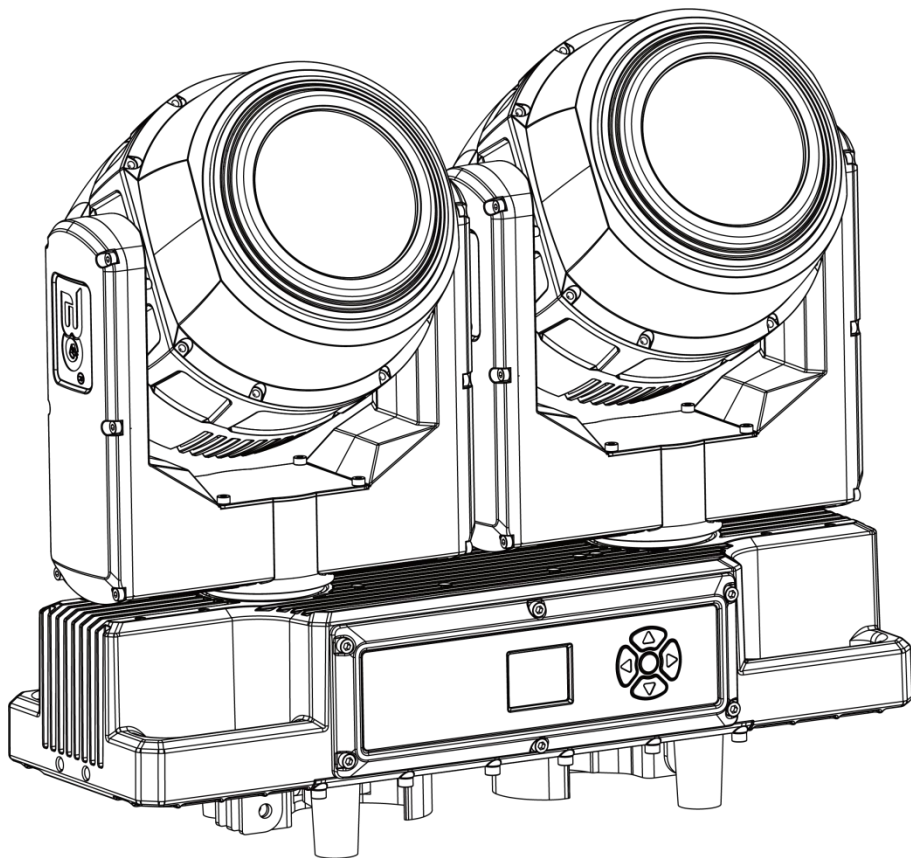


# 200IP

## IP66 2x260W Double Head Splicable Moving Light



### User Manual

Please read manual carefully before use

# CONTENTS

|                                                                     |    |
|---------------------------------------------------------------------|----|
| 1. Safety Instructions .....                                        | 2  |
| 2. Technical Specification .....                                    | 4  |
| 3. DMX Set Up .....                                                 | 6  |
| 4. Display .....                                                    | 7  |
| 5. Menu .....                                                       | 8  |
| 6. LUX Data .....                                                   | 13 |
| 7. DMX Channel List .....                                           | 13 |
| 8. Mounting .....                                                   | 48 |
| 9. Product Size .....                                               | 50 |
| 10. Attention .....                                                 | 50 |
| 11. Trouble Shooting .....                                          | 50 |
| A. The unit does not work, no light and the fan does not work ..... | 51 |
| B. Not responding to DMX controller .....                           | 51 |
| C. One of the channels is not working well .....                    | 51 |
| 12. Fixture Cleaning .....                                          | 51 |

Thank you for choosing our LED lights. Each facility has been rigorously tested. Please check whether the facility has been damaged during transportation. If you find any parts are missing or broken, please contact the manufacturer immediately. Please do not return the product without any notice!

# 1.Safety Instructions



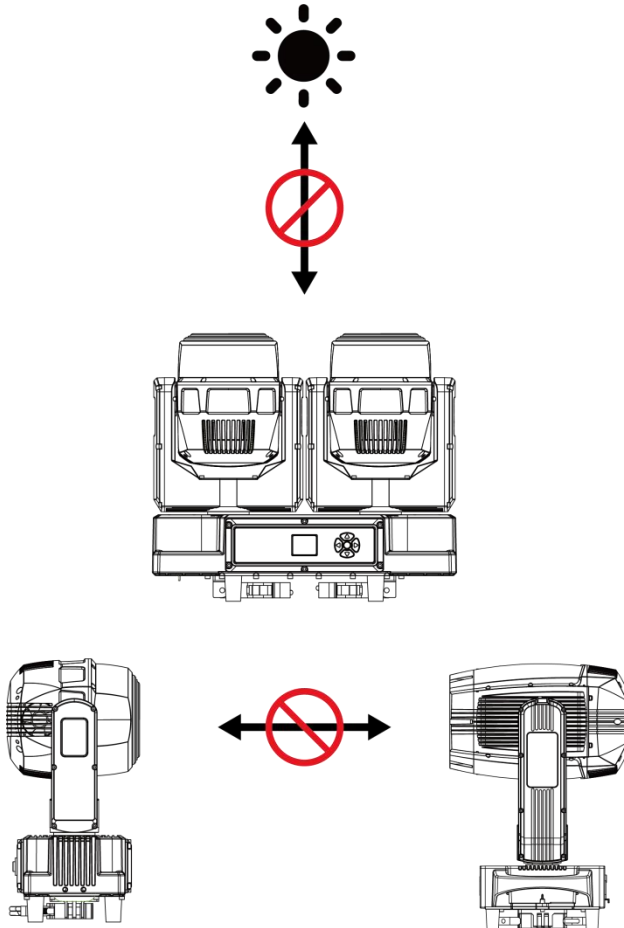
Please read this manual carefully, which includes important information on installation, use and maintenance.

## Attention

- Please keep this USER MANUAL for future consultation. If you sell the facility to another user, be sure that they also receive this USER MANUAL.
- Please open and check in details and make sure there is no transportation damage.
- Before operating, ensure that the voltage and frequency of power supply match the power requirements of the facility.
- It's important to ground the yellow/green conductor to earth in order to avoid electric shock.
- The facility must be installed in a location with adequate ventilation, at least 50 cm from adjacent surfaces. Be sure that no ventilation slots are blocked.
- Make sure the power is disconnected before removing the facility.
- Make sure there are no flammable materials close to the unit while operating as it is fire hazard.
- Use safety cable when fixes this facility. Do not handle the facility by taking its head only, but always by taking its base.
- Maximum ambient temperature is 40 °C . Do not operate it where the temperature is higher than this.
- Please stop using the facility for serious operating problems. Stop using the facility immediately. Never try to repair the facility by yourself, but be a professional technician. Please contact the supplier's service department

for technical support.

- Do not touch any wire during operation as high voltage might be causing electric shock.
- When the housing or lens is damaged, it must be replaced.
- Direct sunlight or any other strong light source penetrating the lens of the light will cause serious internal damage to the facility. During unpacking, installation, use and long-term outdoor idleness, it is forbidden to expose the lens of the facility to direct sunlight or any other strong light source at any angle. It is forbidden to aim the beam of one light directly at another light.



## Caution

There are no accessories available, do not open the housing and try to repair the facilities yourself. Please contact our company for after service.

## Installation

The unit should be mounted via its screw holes on the bracket. Always ensure that the unit is firmly fixed to avoid vibration and slipping while operating. And make sure that the structure to which you are attaching the unit is secure and is able to support a weight of 10 times of the unit's weight. Also always use a safety cable that can hold 12 times of the weight of the unit when installing the fixture.

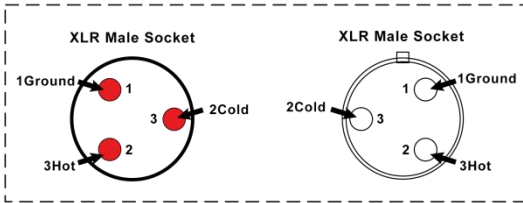
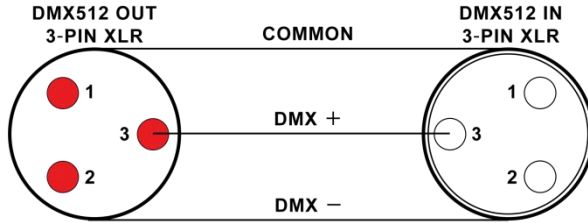
The facility must be installed by professionals, and keep it far away from fire, walking road, and easy touched place.

## 2. Technical Specification

|                   |                     |                                               |
|-------------------|---------------------|-----------------------------------------------|
| Power             | AC100-240V, 50/60HZ |                                               |
| Power Consumption | 600W                |                                               |
| Light Source      | 2x260W RGBW LED     |                                               |
|                   | 2x36x0.5W RGB LED   |                                               |
| Beam Angle        | 2.3°-17°            |                                               |
| Movement          | Pan                 | 540°                                          |
|                   | Tilt                | 250°                                          |
|                   | Accuracy            | 16-bit                                        |
|                   | Correction          | Automatic position correction after step loss |
| Control           | Channel Mode        | 22/43/47/51/57CH,<br>23+14CH(DMX+Art Net)     |
|                   | Protocol            | DMX512                                        |
|                   |                     | RDM                                           |
|                   |                     | Art-Net(optional)                             |
|                   |                     | sACN(optional)                                |

|                                                                                                         |                                                                                                                                                                |                                  |
|---------------------------------------------------------------------------------------------------------|----------------------------------------------------------------------------------------------------------------------------------------------------------------|----------------------------------|
|                                                                                                         | Software Upgrade                                                                                                                                               | Supports firmware update via DMX |
| Structure                                                                                               | Display                                                                                                                                                        | Reversible 1.8 inch TFT          |
|                                                                                                         | Data Connector                                                                                                                                                 | 3-pin XLR socket(5-pin optional) |
|                                                                                                         |                                                                                                                                                                | RJ45 optional                    |
|                                                                                                         | Power Connector                                                                                                                                                | PowerCON in/ out                 |
|                                                                                                         |                                                                                                                                                                | 16A in/ out(optional)            |
| Protection Rate                                                                                         | IP66                                                                                                                                                           |                                  |
| Features                                                                                                | 2 independent main light heads                                                                                                                                 |                                  |
|                                                                                                         | 36 RGB LEDs around each head ring                                                                                                                              |                                  |
|                                                                                                         | Smooth 0–100% dimming with various strobe effects at different speeds                                                                                          |                                  |
|                                                                                                         | 4 dimming curves                                                                                                                                               |                                  |
|                                                                                                         | Linear CTO color temperature adjustment from 2300K to 10000K                                                                                                   |                                  |
|                                                                                                         | Excellent color macro effects                                                                                                                                  |                                  |
|                                                                                                         | Motorized zoom system                                                                                                                                          |                                  |
| Temperature sensor detection with intelligent light source power adjustment and smart fan speed control |                                                                                                                                                                |                                  |
| Environment Temperature                                                                                 | operates in ambient temperatures from -10°C to 40°C.                                                                                                           |                                  |
| Installation                                                                                            | Can be inverted suspended, horizontally mounted on truss, or placed on a flat horizontal surface. Always use and install a safety cable as a safety precaution |                                  |
| Dimension                                                                                               | 499.8*188*439.2mm                                                                                                                                              |                                  |
| NET Weight                                                                                              | 14.5KG                                                                                                                                                         |                                  |

### 3. DMX Set Up



| XLR Pin Configuration |                             |
|-----------------------|-----------------------------|
| pin 1                 | =Ground                     |
| pin 2                 | =Data Compliment (negative) |
| pin 3                 | =Data true (positive)       |

**Pin1: Ground**

**pin2: Negative**

**pin3: Positive**

#### DMX Connection

To ensure optimal transmission of DMX data, please connect facilities in the shortest way. The connection order won't affect the DMX address code. For example, if the address code is set to 1, no matter where the facility is connected, its address code will not change. This is determined by the principle of the DMX controller.






#### Operation method

You can operate in the following three modes:

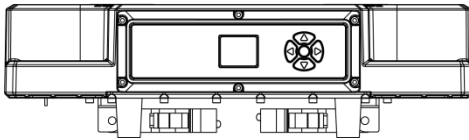
- Auto mode - the light can automatically complete all color changes
- DMX control mode - each light can be individually controlled by a standard DMX512 console
- Master mode - any light can work as a host in any of the above modes, and the other lights will work synchronously as slaves.

## 4. Display

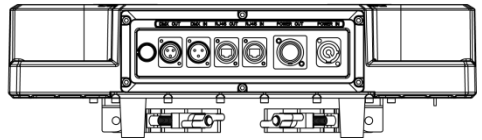
There are five buttons on the LED panel: ESC, UP, DOWN, ENTER and SAVE.

|                                                                                   |                                                                                   |                                                                                   |                                                                                   |                                                                                   |
|-----------------------------------------------------------------------------------|-----------------------------------------------------------------------------------|-----------------------------------------------------------------------------------|-----------------------------------------------------------------------------------|-----------------------------------------------------------------------------------|
| Display                                                                           |                                                                                   |                                                                                   |                                                                                   |                                                                                   |
|  |  |  |  |  |
| <b>ESC</b>                                                                        | <b>UP</b>                                                                         | <b>DOWN</b>                                                                       | <b>ENTER</b>                                                                      | <b>SAVE</b>                                                                       |
| <b>ESC</b>                                                                        | to exit or back to the previous menu                                              |                                                                                   |                                                                                   |                                                                                   |
| <b>UP/ DOWN</b>                                                                   | to navigate through menu options or adjust values                                 |                                                                                   |                                                                                   |                                                                                   |
| <b>SAVE</b>                                                                       | to save the adjusted settings/ values and back to the previous menu               |                                                                                   |                                                                                   |                                                                                   |
| <b>ENTER</b>                                                                      | to enter next menu level.                                                         |                                                                                   |                                                                                   |                                                                                   |

**FRONT VIEW**



**REAR VIEW**



After powering on, the facility will automatically return to the last operation when it was powered off, then get into standby status. For more details, please refer to the information below↓

## 5. Menu

| Main Menu     | Sub Menu         | Level 3 Menu                 | Level 4 Menu    | Remarks              |                       |
|---------------|------------------|------------------------------|-----------------|----------------------|-----------------------|
| Menu          | 1. Pan Degree    | 1. 540    2. 360             |                 | Pan Degree Selection |                       |
|               | 2. Mic Sense     | 001--100                     |                 | Mic Sense Adjustment |                       |
|               | 3. Language      | 1. English<br>2. Chinese     |                 | Language Selection   |                       |
|               | 4. No Signal     | 1. BlackOut<br>2. Hold       |                 | NO Signal Status     |                       |
|               | 5. Dimmer Mode   | 1. Dimmer Mode1              |                 |                      | Dimmer Mode Selection |
|               |                  | 2. Dimmer Mode2              |                 |                      |                       |
|               |                  | 3. Dimmer Mode3              |                 |                      |                       |
|               |                  | 4. Dimmer Mode4              |                 |                      |                       |
|               |                  | 5. Dimmer Mode5              |                 |                      |                       |
|               | 6. Gamma Curve   | 1. Gamma Curve2.0            |                 |                      | Gamma Curve selection |
|               |                  | 2. Gamma Curve2.2            |                 |                      |                       |
|               |                  | 3. Gamma Curve2.4            |                 |                      |                       |
|               |                  | 4. Gamma Curve2.6            |                 |                      |                       |
|               | 7. Fan Set       | 1. Auto    2. Low<br>3. High |                 |                      | Fan Mode Selection    |
| 8. ArtNet Set | 1. ArtNet Enable |                              | 1. ON<br>2. OFF |                      |                       |
|               | 2. Universe      |                              | 0-255           |                      |                       |

| Main Menu | Sub Menu         | Level 3 Menu    | Level 4 Menu                                      | Remarks               |                                                               |
|-----------|------------------|-----------------|---------------------------------------------------|-----------------------|---------------------------------------------------------------|
|           |                  | 3. IP Mode      | A. 2.X.X.X auto<br>B. 10.X.X.X auto<br>C. Custom) |                       |                                                               |
|           |                  | 4. Custom IP    | 192.168.000.00<br>1                               |                       |                                                               |
|           |                  | 5. SubNetMask   | 255.000.000.00<br>0                               |                       |                                                               |
|           | 9. Reset         | 1. Yes          |                                                   | Reset                 |                                                               |
|           |                  | 2. No           |                                                   |                       |                                                               |
|           | 10. Default      | 1. Yes          |                                                   | Factory Default Reset |                                                               |
|           |                  | 2. No           |                                                   |                       |                                                               |
|           | 11. Adjust       | Pass Word: **** |                                                   | 1.Pan1: 0-255         | Adjusting the Pan/Tilt/Focus values allows angle calibration. |
|           |                  |                 |                                                   | 2.Tilt1: 0-255        |                                                               |
|           |                  |                 |                                                   | 3.Focus1: 0-255       |                                                               |
|           |                  |                 |                                                   | 4.Red1: 0-255         |                                                               |
|           |                  |                 |                                                   | 5.Green1: 0-255       |                                                               |
|           |                  |                 |                                                   | 6.Blue1: 0-255        |                                                               |
|           |                  |                 |                                                   | 7.White1: 0-255       | Adjusting the R/G/B/W values allows white balance adjustment. |
|           |                  |                 | 8.Pan2: 0-255                                     |                       |                                                               |
|           |                  |                 | 9.Tilt2: 0-255                                    |                       |                                                               |
|           |                  |                 | 10.Focus2: 0-255                                  |                       |                                                               |
|           |                  |                 | 11.Red2: 0-255                                    |                       |                                                               |
|           |                  |                 | 12.Green2: 0-255                                  |                       |                                                               |
|           |                  |                 | 13.Blue2: 0-255                                   |                       |                                                               |
|           | 14.White2: 0-255 |                 |                                                   |                       |                                                               |
| Addr      | 001--512         |                 |                                                   | Address               |                                                               |

| Main Menu     | Sub Menu          | Level 3 Menu                      | Level 4 Menu | Remarks                       |                  |
|---------------|-------------------|-----------------------------------|--------------|-------------------------------|------------------|
|               |                   |                                   |              | Setting 001--512              |                  |
| Rever         | 1. Pan Invert     | 1. YES    2. NO                   |              | Pan inversion                 |                  |
|               | 2. Tilt Invert    | 1. YES    2. NO                   |              | Tilt inversion                |                  |
|               | 3. Display Invert | 1. YES    2. NO                   |              | Display inversion             |                  |
| Inform        | 1. CH Value       |                                   |              | Channel information display   |                  |
|               | 2. Tem**°C        |                                   |              | LED board temperature display |                  |
|               | 3. Version        | 1. 1940BWR-DIS-N ET-1.1 Soft V1.0 |              |                               | Firmware Version |
|               |                   | 2. 3120100151A-M OB11 Soft V1.0   |              |                               |                  |
|               |                   | 3. 3120200071A-Q DB2.0 Soft V1.0  |              |                               |                  |
|               |                   | 4. 3120100151A-M OB11 Soft V1.0   |              |                               |                  |
|               |                   | 5. 3120200071A-Q DB2.0 Soft V1.0  |              |                               |                  |
|               | 4. IP             | IP002.018.000.001                 |              |                               | Default IP       |
|               | 5. Mask           | Mask255.000.000.000               |              |                               | Default Mask     |
|               | 6. Use Time ****  |                                   |              |                               |                  |
| 7. Clear Time |                   |                                   |              |                               |                  |
| Mode          | 1. DMX512         |                                   |              | Control mode setting          |                  |
|               | 2. Auto           | 1. Master<br>2. Alone             |              |                               |                  |
|               | 3. Sound          | 1. Master<br>2. Alone             |              |                               |                  |

| Main Menu | Sub Menu  | Level 3 Menu          | Level 4 Menu                                                                                                                                                                                                                                                                                                                                                                                                              | Remarks        |
|-----------|-----------|-----------------------|---------------------------------------------------------------------------------------------------------------------------------------------------------------------------------------------------------------------------------------------------------------------------------------------------------------------------------------------------------------------------------------------------------------------------|----------------|
|           | 4. Manual | 1. Master<br>2. Alone | 1. Pan1: 0-255<br>2. Tilt1: 0-255<br>3. Focus1:<br>0-255<br>4. Red1: 0-255<br>5. Green1:<br>0-255<br>6. Blue1: 0-255<br>7. White1:<br>0-255<br>8. Strobe1:<br>0-255<br>9. HaloRed1:<br>0-255<br>10. HaloGreen<br>1: 0-255<br>11. HaloBlue1:<br>0-255<br>12. HaloStrobe<br>1: 0-255<br>13. Pan2:<br>0-255<br>14. Tilt2: 0-255<br>15. Focus2:<br>0-255<br>16. Red2:<br>0-255<br>17. Green2:<br>0-255<br>18. Blue2:<br>0-255 | Manual control |

| Main Menu | Sub Menu          | Level 3 Menu             | Level 4 Menu               | Remarks                      |
|-----------|-------------------|--------------------------|----------------------------|------------------------------|
|           |                   |                          | 19. White2:<br>0-255       |                              |
|           |                   |                          | 20. Strobe2:<br>0-255      |                              |
|           |                   |                          | 21. HaloRed2:<br>0-255     |                              |
|           |                   |                          | 22. HaloGreen<br>2: 0-255  |                              |
|           |                   |                          | 23. HaloBlue2:<br>0-255    |                              |
|           |                   |                          | 24. HaloStrobe<br>2: 0-255 |                              |
| Channel   | 1. 22<br>Channels | 22CH                     |                            | Channel<br>mode<br>selection |
|           | 2. 43<br>Channels | 43CH                     |                            |                              |
|           | 3. 47<br>Channels | 47CH                     |                            |                              |
|           | 4. 51<br>Channels | 51CH                     |                            |                              |
|           | 5. 57<br>Channels | 57CH                     |                            |                              |
|           | 6. 23<br>Channels | 23+14CH<br>(DMX+Art Net) |                            |                              |

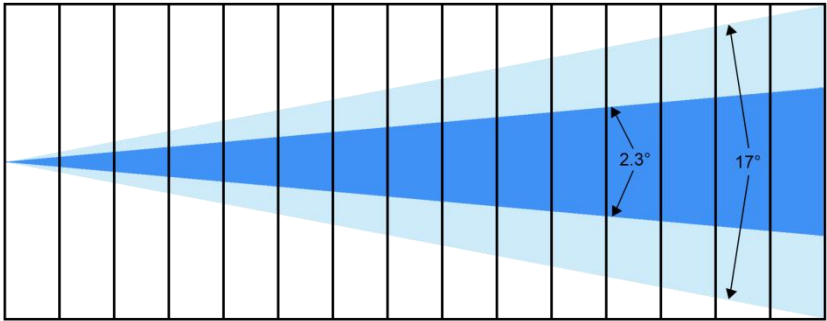
## 6. LUX Data

### BeamAngle=2.3°

|         |        |       |       |       |      |
|---------|--------|-------|-------|-------|------|
| R lux   | 32300  | 9528  | 3430  | 1750  | 858  |
| G lux   | 91700  | 22111 | 7960  | 4061  | 1990 |
| B lux   | 18400  | 3750  | 1350  | 689   | 338  |
| W lux   | 155000 | 40278 | 14500 | 7398  | 3625 |
| ALL lux | 595000 | 66111 | 23800 | 12143 | 5950 |

### BeamAngle=17°

|         |       |      |      |     |     |
|---------|-------|------|------|-----|-----|
| R lux   | 3340  | 603  | 217  | 111 | 54  |
| G lux   | 7620  | 1414 | 509  | 260 | 127 |
| B lux   | 1370  | 266  | 95.6 | 49  | 24  |
| W lux   | 13600 | 2594 | 934  | 477 | 234 |
| ALL lux | 23200 | 4222 | 1520 | 776 | 380 |



|                       |  |      |      |      |      |      |
|-----------------------|--|------|------|------|------|------|
| Distance(m)           |  | 1    | 3    | 5    | 7    | 10   |
| Spot diameter(m) 2.3° |  | 0.14 | 0.17 | 0.28 | 0.39 | 0.56 |
| Spot diameter(m) 17°  |  | 0.38 | 0.90 | 1.50 | 2.10 | 3.00 |

## 7. DMX Channel List

### ► 22 Channel Mode

| CH | Function            | DMX Value | Remarks             |
|----|---------------------|-----------|---------------------|
| 1  | Pan                 | 0--255    | Pan Movement        |
| 2  | Pan fine-adjustment | 0--255    | Pan fine-adjustment |
| 3  | Tilt                | 0--255    | Tilt Movement       |

| CH       | Function               | DMX Value | Remarks                             |
|----------|------------------------|-----------|-------------------------------------|
| 4        | Tilt fine-adjustment   | 0--255    | Tilt fine-adjustment                |
| 5        | Pan Tilt Speed         | 0--255    | Fast to Slow                        |
| 6        | Zoom                   | 0--255    | Narrow to Wide                      |
| 7        | Dimmer                 | 0--255    | Dark to Bright                      |
| 8        | Dimmer fine-adjustment | 0--255    | Dark to Bright                      |
| 9        | Strobe                 | 0--3      | Strobe ON                           |
|          |                        | 4--203    | Strobe Sync: Slow to Fast (1–25 Hz) |
|          |                        | 204--255  | Random Strobe                       |
| 10       | R Dimmer               | 0--255    | Dark to Bright                      |
| 11       | G Dimmer               | 0--255    | Dark to Bright                      |
| 12       | B Dimmer               | 0--255    | Dark to Bright                      |
| 13       | W Dimmer               | 0--255    | Dark to Bright                      |
| 14       | Middle 200W LED        | 0-7       | No Function                         |
|          |                        | 8--25     | R 100%, G UP, B 0%                  |
|          |                        | 26--43    | R DOWN, G 100%, B 0%                |
|          |                        | 44--61    | R 0%, G 100%, B UP                  |
|          |                        | 62-79     | R 0%, G DOWN, B 100%                |
|          |                        | 80--97    | R UP, G 0%, B 100%                  |
|          |                        | 98-115    | R 100%, G 0%, B DOWN                |
|          |                        | 116--133  | R 100%, G UP, B UP                  |
|          |                        | 134--152  | R DOWN, G DOWN, B 100%              |
|          |                        | 152--170  | R 100%, G 100%, B 100%, W 100%      |
|          |                        | 171-175   | 2300K                               |
|          |                        | 176--180  | 2800K                               |
|          |                        | 181--185  | 3200K                               |
|          |                        | 186--190  | 3700K                               |
|          |                        | 191--195  | 4000K                               |
|          |                        | 196--200  | 4500K                               |
| 201--205 | 5000K                  |           |                                     |
| 206--210 | 5600K                  |           |                                     |
|          | Color Temperature      |           |                                     |

| CH | Function         |                                              | DMX Value                                                                | Remarks                             |
|----|------------------|----------------------------------------------|--------------------------------------------------------------------------|-------------------------------------|
|    |                  |                                              | 211--215                                                                 | 6000K                               |
|    |                  |                                              | 216--220                                                                 | 6500K                               |
|    |                  |                                              | 221--225                                                                 | 7000K                               |
|    |                  |                                              | 226--230                                                                 | 7500K                               |
|    |                  |                                              | 231--235                                                                 | 8000K                               |
|    |                  |                                              | 236--240                                                                 | 8500K                               |
|    |                  |                                              | 241--245                                                                 | 9000K                               |
|    |                  |                                              | 246--250                                                                 | 9500K                               |
|    |                  |                                              | 251--255                                                                 | 10000K                              |
| 15 |                  | Strobe                                       | 0--3                                                                     | Strobe ON                           |
|    |                  |                                              | 4--203                                                                   | Strobe Sync: Slow to Fast (1–25 Hz) |
|    |                  |                                              | 204--255                                                                 | Random Strobe                       |
| 16 |                  | R Dimmer                                     | 0--255                                                                   | Dark to Bright                      |
| 17 |                  | G Dimmer                                     | 0--255                                                                   | Dark to Bright                      |
| 18 |                  | B Dimmer                                     | 0--255                                                                   | Dark to Bright                      |
| 19 | LED Ring         | Effect                                       | 0--4                                                                     | No function                         |
|    |                  |                                              | 5--255                                                                   | 5 DMX values per effect             |
| 20 |                  | Dynamic effect speed (works with channel 19) | 0-9                                                                      | No function                         |
|    |                  |                                              | 10--132                                                                  | Forward effect (fast to slow)       |
|    |                  |                                              | 133--255                                                                 | Reverse effect (fast to slow)       |
| 21 |                  | Effect fade (works with channel 19)          | 0--255                                                                   | Fast to Slow                        |
| 22 | Function Channel |                                              | To activate the following functions, keep the DMX value for at least 3s. |                                     |
|    |                  |                                              | 0-29                                                                     | Reserved channel                    |
|    |                  |                                              | 30-39                                                                    | Dimming curve Gamma2.0              |
|    |                  |                                              | 40-49                                                                    | Dimming curve Gamma2.2              |
|    |                  |                                              | 50-59                                                                    | Dimming curve Gamma2.4              |

| CH | Function | DMX Value | Remarks                   |
|----|----------|-----------|---------------------------|
|    |          | 60-69     | Dimming curve<br>Gamma2.6 |
|    |          | 70-89     | Reserved channel          |
|    |          | 90-99     | Dimmer mode1              |
|    |          | 100-109   | Dimmer mode2              |
|    |          | 110-119   | Dimmer mode3              |
|    |          | 120-129   | Dimmer mode4              |
|    |          | 130-139   | Dimmer mode5              |
|    |          | 140-250   | Reserved channel          |
|    |          | 251-255   | Fixture reset             |

### ► 43 Channel Mode

| CH | Function                   | DMX Value | Remarks               |                                        |
|----|----------------------------|-----------|-----------------------|----------------------------------------|
| 1  | Pan1                       | 0--255    | Pan1 adjustment       |                                        |
| 2  | Pan1 fine-adjustment       | 0--255    | Pan1 fine-adjustment  |                                        |
| 3  | Tilt1                      | 0--255    | Tilt1 adjustment      |                                        |
| 4  | Tilt1 fine-adjustment      | 0--255    | Tilt1 fine-adjustment |                                        |
| 5  | Pan Tilt Speed1            | 0--255    | Fast to Slow          |                                        |
| 6  | Zoom1                      | 0--255    | Narrow to Wide        |                                        |
| 7  | Dimmer1                    | 0--255    | Dark to Bright        |                                        |
| 8  | Dimmer<br>fine-adjustment1 | 0--255    | Dark to Bright        |                                        |
| 9  | Middle<br>200W<br>LED1     | Strobe1   | 0--3                  | Strobe ON                              |
|    |                            |           | 4--203                | Strobe Sync: Slow to<br>Fast (1–25 Hz) |
|    |                            |           | 204--255              | Random Strobe                          |

| <b>CH</b> | <b>Function</b>           |           | <b>DMX Value</b> | <b>Remarks</b>                 |
|-----------|---------------------------|-----------|------------------|--------------------------------|
| 10        |                           | R1 Dimmer | 0--255           | Dark to Bright                 |
| 11        |                           | G1 Dimmer | 0--255           | Dark to Bright                 |
| 12        |                           | B1 Dimmer | 0--255           | Dark to Bright                 |
| 13        |                           | W1 Dimmer | 0--255           | Dark to Bright                 |
| 14        | Color<br>Temperatur<br>e1 |           | 0-7              | No Function                    |
|           |                           |           | 8--25            | R 100%, G UP, B 0%             |
|           |                           |           | 26--43           | R DOWN, G 100%, B 0%           |
|           |                           |           | 44--61           | R 0%, G 100%, B UP             |
|           |                           |           | 62-79            | R 0%, G DOWN, B 100%           |
|           |                           |           | 80--97           | R UP, G 0%, B 100%             |
|           |                           |           | 98-115           | R 100%, G 0%, B DOWN           |
|           |                           |           | 116--133         | R 100%, G UP, B UP             |
|           |                           |           | 134--152         | R DOWN, G DOWN, B 100%         |
|           |                           |           | 152--170         | R 100%, G 100%, B 100%, W 100% |
|           |                           |           | 171-175          | 2300K                          |
|           |                           |           | 176--180         | 2800K                          |
|           |                           |           | 181--185         | 3200K                          |
|           |                           |           | 186--190         | 3700K                          |
|           | 191--195                  | 4000K     |                  |                                |
|           | 196--200                  | 4500K     |                  |                                |

| <b>CH</b> | <b>Function</b> |           | <b>DMX Value</b> | <b>Remarks</b>                      |
|-----------|-----------------|-----------|------------------|-------------------------------------|
|           |                 |           | 201--205         | 5000K                               |
|           |                 |           | 206--210         | 5600K                               |
|           |                 |           | 211--215         | 6000K                               |
|           |                 |           | 216--220         | 6500K                               |
|           |                 |           | 221--225         | 7000K                               |
|           |                 |           | 226--230         | 7500K                               |
|           |                 |           | 231--235         | 8000K                               |
|           |                 |           | 236--240         | 8500K                               |
|           |                 |           | 241--245         | 9000K                               |
|           |                 |           | 246--250         | 9500K                               |
|           |                 |           | 251--255         | 10000K                              |
| 15        |                 | Strobe1   | 0--3             | Strobe ON                           |
|           |                 |           | 4--203           | Strobe Sync: Slow to Fast (1–25 Hz) |
|           |                 |           | 204--255         | Random Strobe                       |
| 16        | LED Ring1       | R1 Dimmer | 0--255           | Dark to Bright                      |
| 17        |                 | G1 Dimmer | 0--255           | Dark to Bright                      |
| 18        |                 | B1 Dimmer | 0--255           | Dark to Bright                      |
| 19        |                 | Effect1   | 0--4             | No function                         |
|           |                 |           | 5--255           | 5 DMX values per effect             |
| 20        |                 | Dynamic   | 0--127           | Forward effect (fast to slow)       |

| CH | Function                |                                          | DMX Value | Remarks                             |
|----|-------------------------|------------------------------------------|-----------|-------------------------------------|
|    |                         | effect speed1<br>(works with channel 19) | 128--255  | Reverse effect (fast to slow)       |
| 21 |                         | Effect fade1<br>(works with channel 19)  | 0--255    | Fast to Slow                        |
| 22 | Pan2                    |                                          | 0--255    | Pan1 adjustment                     |
| 23 | Pan2 fine-adjustment    |                                          | 0--255    | Pan1 fine-adjustment                |
| 24 | Tilt2                   |                                          | 0--255    | Tilt1 adjustment                    |
| 25 | Tilt2 fine-adjustment   |                                          | 0--255    | Tilt1 fine-adjustment               |
| 26 | Pan Tilt Speed2         |                                          | 0--255    | Fast to Slow                        |
| 27 | Zoom2                   |                                          | 0--255    | Narrow to Wide                      |
| 28 | Dimmer2                 |                                          | 0--255    | Dark to Bright                      |
| 29 | Dimmer fine-adjustment2 |                                          | 0--255    | Dark to Bright                      |
| 30 | Middle<br>200W<br>LED2  | Strobe2                                  | 0--3      | Strobe ON                           |
|    |                         |                                          | 4--203    | Strobe Sync: Slow to Fast (1–25 Hz) |
|    |                         |                                          | 204--255  | Random Strobe                       |
| 31 |                         | R2 Dimmer                                | 0--255    | Dark to Bright                      |
| 32 |                         | G2 Dimmer                                | 0--255    | Dark to Bright                      |
| 33 |                         | B2 Dimmer                                | 0--255    | Dark to Bright                      |
| 34 |                         | W2 Dimmer                                | 0--255    | Dark to Bright                      |
| 35 |                         | Color<br>Temperatur<br>e2                | 0-7       | No Function                         |
|    |                         |                                          | 8--25     | R 100%, G UP, B 0%                  |

| <b>CH</b> | <b>Function</b> | <b>DMX Value</b> | <b>Remarks</b>                 |
|-----------|-----------------|------------------|--------------------------------|
|           |                 | 26--43           | R DOWN, G100%, B 0%            |
|           |                 | 44--61           | R 0%, G100%, B UP              |
|           |                 | 62-79            | R 0%, G DOWN, B 100%           |
|           |                 | 80--97           | R UP, G 0%, B 100%             |
|           |                 | 98-115           | R 100%, G 0%, B DOWN           |
|           |                 | 116--133         | R 100%, G UP, B UP             |
|           |                 | 134--152         | R DOWN, G DOWN, B 100%         |
|           |                 | 152--170         | R 100%, G 100%, B 100%, W 100% |
|           |                 | 171-175          | 2300K                          |
|           |                 | 176--180         | 2800K                          |
|           |                 | 181--185         | 3200K                          |
|           |                 | 186--190         | 3700K                          |
|           |                 | 191--195         | 4000K                          |
|           |                 | 196--200         | 4500K                          |
|           |                 | 201--205         | 5000K                          |
|           |                 | 206--210         | 5600K                          |
|           |                 | 211--215         | 6000K                          |
|           |                 | 216--220         | 6500K                          |
|           |                 | 221--225         | 7000K                          |
|           |                 | 226--230         | 7500K                          |

| CH | Function         |                                               | DMX Value                                                                | Remarks                             |
|----|------------------|-----------------------------------------------|--------------------------------------------------------------------------|-------------------------------------|
|    |                  |                                               | 231--235                                                                 | 8000K                               |
|    |                  |                                               | 236--240                                                                 | 8500K                               |
|    |                  |                                               | 241--245                                                                 | 9000K                               |
|    |                  |                                               | 246--250                                                                 | 9500K                               |
|    |                  |                                               | 251--255                                                                 | 10000K                              |
| 36 |                  | Strobe2                                       | 0--3                                                                     | Strobe ON                           |
|    |                  |                                               | 4--203                                                                   | Strobe Sync: Slow to Fast (1–25 Hz) |
|    |                  |                                               | 204--255                                                                 | Random Strobe                       |
| 37 |                  | R2 Dimmer                                     | 0--255                                                                   | Dark to Bright                      |
| 38 |                  | G2 Dimmer                                     | 0--255                                                                   | Dark to Bright                      |
| 39 |                  | B2 Dimmer                                     | 0--255                                                                   | Dark to Bright                      |
| 40 | LED Ring2        | Effect2                                       | 0--4                                                                     | No function                         |
|    |                  |                                               | 5--255                                                                   | 5 DMX values per effect             |
| 41 |                  | Dynamic effect speed2 (works with channel 40) | 0--127                                                                   | Forward effect (fast to slow)       |
|    |                  |                                               | 128--255                                                                 | Reverse effect (fast to slow)       |
| 42 |                  | Effect fade2 (works with channel 40)          | 0--255                                                                   | Fast to Slow                        |
| 43 | Function Channel |                                               | To activate the following functions, keep the DMX value for at least 3s. |                                     |
|    |                  |                                               | 0-29                                                                     | Reserved channel                    |
|    |                  |                                               | 30-39                                                                    | Dimming curve Gamma2.0              |

| <b>CH</b> | <b>Function</b> | <b>DMX Value</b> | <b>Remarks</b>            |
|-----------|-----------------|------------------|---------------------------|
|           |                 | 40-49            | Dimming curve<br>Gamma2.2 |
|           |                 | 50-59            | Dimming curve<br>Gamma2.4 |
|           |                 | 60-69            | Dimming curve<br>Gamma2.6 |
|           |                 | 70-89            | Reserved channel          |
|           |                 | 90-99            | Dimmer mode1              |
|           |                 | 100-109          | Dimmer mode2              |
|           |                 | 110-119          | Dimmer mode3              |
|           |                 | 120-129          | Dimmer mode4              |
|           |                 | 130-139          | Dimmer mode5              |
|           |                 | 140-250          | Reserved channel          |
|           |                 | 251-255          | Fixture reset             |

### ► 47 Channel Mode

| <b>CH</b> | <b>Function</b>       | <b>DMX Value</b> | <b>Remarks</b>        |
|-----------|-----------------------|------------------|-----------------------|
| 1         | Pan1                  | 0--255           | Pan1 adjustment       |
| 2         | Pan1 fine-adjustment  | 0--255           | Pan1 fine-adjustment  |
| 3         | Tilt1                 | 0--255           | Tilt1 adjustment      |
| 4         | Tilt1 fine-adjustment | 0--255           | Tilt1 fine-adjustment |
| 5         | Pan Tilt Speed1       | 0--255           | Fast to Slow          |

| <b>CH</b> | <b>Function</b>       | <b>DMX Value</b>           | <b>Remarks</b>       |                                      |
|-----------|-----------------------|----------------------------|----------------------|--------------------------------------|
| 6         | Zoom1                 | 0--255                     | Narrow to Wide       |                                      |
| 7         | Middle<br>200W<br>LED | Dimmer1                    | 0--255               | Dark to Bright                       |
| 8         |                       | Dimmer<br>fine-adjustment1 | 0--255               | Dark to Bright                       |
| 9         |                       | Strobe1                    | 0--3                 | Strobe ON                            |
|           |                       |                            | 4--203               | Strobe Sync: Slow to Fast (1--25 Hz) |
|           |                       |                            | 204--255             | Random Strobe                        |
| 10        |                       | R1 Dimmer                  | 0--255               | Dark to Bright                       |
| 11        |                       | G1 Dimmer                  | 0--255               | Dark to Bright                       |
| 12        |                       | B1 Dimmer                  | 0--255               | Dark to Bright                       |
| 13        |                       | W1 Dimmer                  | 0--255               | Dark to Bright                       |
| 14        |                       | Color<br>Temperature1      | 0-7                  | No Function                          |
|           |                       |                            | 8--25                | R 100%, G UP, B 0%                   |
|           |                       |                            | 26--43               | R DOWN, G100%, B 0%                  |
|           |                       |                            | 44--61               | R 0%, G100%, B UP                    |
|           |                       |                            | 62-79                | R 0%, G DOWN, B 100%                 |
|           | 80--97                |                            | R UP, G 0%, B 100%   |                                      |
|           | 98-115                |                            | R 100%, G 0%, B DOWN |                                      |
|           | 116--133              |                            | R 100%, G UP, B UP   |                                      |

| CH | Function |  | DMX Value | Remarks                        |
|----|----------|--|-----------|--------------------------------|
|    |          |  | 134--152  | R DOWN, G DOWN, B 100%         |
|    |          |  | 152--170  | R 100%, G 100%, B 100%, W 100% |
|    |          |  | 171-175   | 2300K                          |
|    |          |  | 176--180  | 2800K                          |
|    |          |  | 181--185  | 3200K                          |
|    |          |  | 186--190  | 3700K                          |
|    |          |  | 191--195  | 4000K                          |
|    |          |  | 196--200  | 4500K                          |
|    |          |  | 201--205  | 5000K                          |
|    |          |  | 206--210  | 5600K                          |
|    |          |  | 211--215  | 6000K                          |
|    |          |  | 216--220  | 6500K                          |
|    |          |  | 221--225  | 7000K                          |
|    |          |  | 226--230  | 7500K                          |
|    |          |  | 231--235  | 8000K                          |
|    |          |  | 236--240  | 8500K                          |
|    |          |  | 241--245  | 9000K                          |
|    |          |  | 246--250  | 9500K                          |
|    |          |  | 251--255  | 10000K                         |

| CH | Function                             |                                               | DMX Value                        | Remarks                             |
|----|--------------------------------------|-----------------------------------------------|----------------------------------|-------------------------------------|
| 15 |                                      | Color macro1                                  | 0--9                             | No Function                         |
|    |                                      |                                               | 10--19                           | Color macro1                        |
|    |                                      |                                               | 20--29                           | Color macro2                        |
|    |                                      |                                               | ..... (One effect per 10 values) | .....                               |
|    |                                      |                                               | 150--255                         | Color macro15                       |
| 16 | LED Ring                             | Dimmer1                                       | 0--255                           | Dark to Bright                      |
| 17 |                                      | Strobe1                                       | 0--3                             | Strobe ON                           |
|    |                                      |                                               | 4--203                           | Strobe Sync: Slow to Fast (1–25 Hz) |
|    |                                      |                                               | 204--255                         | Random Strobe                       |
| 18 |                                      | R1 Dimmer                                     | 0--255                           | Dark to Bright                      |
| 19 |                                      | G1 Dimmer                                     | 0--255                           | Dark to Bright                      |
| 20 |                                      | B1 Dimmer                                     | 0--255                           | Dark to Bright                      |
| 21 |                                      | Effect1                                       | 0--4                             | No function                         |
|    |                                      |                                               | 5--255                           | 5 DMX values per effect             |
| 22 |                                      | Dynamic effect1 speed (works with channel 21) | 0--127                           | Forward effect (fast to slow)       |
|    | 128--255                             |                                               | Reverse effect (fast to slow)    |                                     |
| 23 | Effect fade1 (works with channel 21) | 0--255                                        | Fast to Slow                     |                                     |

| <b>CH</b> | <b>Function</b>       | <b>DMX Value</b>           | <b>Remarks</b>        |                                     |
|-----------|-----------------------|----------------------------|-----------------------|-------------------------------------|
| 24        | Pan2                  | 0--255                     | Pan1 adjustment       |                                     |
| 25        | Pan2 fine-adjustment  | 0--255                     | Pan1 fine-adjustment  |                                     |
| 26        | Tilt2                 | 0--255                     | Tilt1 adjustment      |                                     |
| 27        | Tilt2 fine-adjustment | 0--255                     | Tilt1 fine-adjustment |                                     |
| 28        | Pan Tilt Speed2       | 0--255                     | Fast to Slow          |                                     |
| 29        | Zoom2                 | 0--255                     | Narrow to Wide        |                                     |
| 30        | Middle<br>200W<br>LED | Dimmer2                    | 0--255                | Dark to Bright                      |
| 31        |                       | Dimmer<br>fine-adjustment2 | 0--255                | Dark to Bright                      |
| 32        |                       | Strobe2                    | 0--3                  | Strobe ON                           |
|           |                       |                            | 4--203                | Strobe Sync: Slow to Fast (1–25 Hz) |
|           |                       |                            | 204--255              | Random Strobe                       |
| 33        |                       | R2 Dimmer                  | 0--255                | Dark to Bright                      |
| 34        |                       | G2 Dimmer                  | 0--255                | Dark to Bright                      |
| 35        |                       | B2 Dimmer                  | 0--255                | Dark to Bright                      |
| 36        |                       | W2 Dimmer                  | 0--255                | Dark to Bright                      |
| 37        |                       | Color<br>Temperature2      | 0-7                   | No Function                         |
|           | 8--25                 |                            | R 100%, G UP, B 0%    |                                     |
|           | 26--43                |                            | R DOWN, G100%, B 0%   |                                     |
|           | 44--61                |                            | R 0%, G100%, B UP     |                                     |

| <b>CH</b> | <b>Function</b> |  | <b>DMX Value</b> | <b>Remarks</b>                 |
|-----------|-----------------|--|------------------|--------------------------------|
|           |                 |  | 62-79            | R 0%, G DOWN, B 100%           |
|           |                 |  | 80--97           | R UP, G 0%, B 100%             |
|           |                 |  | 98-115           | R 100%, G 0%, B DOWN           |
|           |                 |  | 116--133         | R 100%, G UP, B UP             |
|           |                 |  | 134--152         | R DOWN, G DOWN, B 100%         |
|           |                 |  | 152--170         | R 100%, G 100%, B 100%, W 100% |
|           |                 |  | 171-175          | 2300K                          |
|           |                 |  | 176--180         | 2800K                          |
|           |                 |  | 181--185         | 3200K                          |
|           |                 |  | 186--190         | 3700K                          |
|           |                 |  | 191--195         | 4000K                          |
|           |                 |  | 196--200         | 4500K                          |
|           |                 |  | 201--205         | 5000K                          |
|           |                 |  | 206--210         | 5600K                          |
|           |                 |  | 211--215         | 6000K                          |
|           |                 |  | 216--220         | 6500K                          |
|           |                 |  | 221--225         | 7000K                          |
|           |                 |  | 226--230         | 7500K                          |
|           |                 |  | 231--235         | 8000K                          |

| CH | Function |              | DMX Value                        | Remarks                              |
|----|----------|--------------|----------------------------------|--------------------------------------|
|    |          |              | 236--240                         | 8500K                                |
|    |          |              | 241--245                         | 9000K                                |
|    |          |              | 246--250                         | 9500K                                |
|    |          |              | 251--255                         | 10000K                               |
| 38 |          | Color macro2 | 0--9                             | No Function                          |
|    |          |              | 10--19                           | Color macro1                         |
|    |          |              | 20--29                           | Color macro2                         |
|    |          |              | ..... (One effect per 10 values) | .....                                |
|    |          |              | 150--255                         | Color macro15                        |
| 39 | LED Ring | Dimmer2      | 0--255                           | Dark to Bright                       |
| 40 |          | Strobe2      | 0--3                             | Strobe ON                            |
|    |          |              | 4--203                           | Strobe Sync: Slow to Fast (1--25 Hz) |
|    |          |              | 204--255                         | Random Strobe                        |
| 41 |          | R2 Dimmer    | 0--255                           | Dark to Bright                       |
| 42 |          | G2 Dimmer    | 0--255                           | Dark to Bright                       |
| 43 |          | B2 Dimmer    | 0--255                           | Dark to Bright                       |
| 44 |          | Effect2      | 0--4                             | No function                          |
|    | 5--255   |              | 5 DMX values per effect          |                                      |

| <b>CH</b> | <b>Function</b>  |                                               | <b>DMX Value</b>                                                         | <b>Remarks</b>                |
|-----------|------------------|-----------------------------------------------|--------------------------------------------------------------------------|-------------------------------|
| 45        |                  | Dynamic effect2 speed (works with channel 44) | 0--127                                                                   | Forward effect (fast to slow) |
|           |                  |                                               | 128--255                                                                 | Reverse effect (fast to slow) |
| 46        |                  | Effect fade2 (works with channel 44)          | 0--255                                                                   | Fast to Slow                  |
| 47        | Function Channel |                                               | To activate the following functions, keep the DMX value for at least 3s. |                               |
|           |                  |                                               | 0-29                                                                     | Reserved channel              |
|           |                  |                                               | 30-39                                                                    | Dimming curve Gamma2.0        |
|           |                  |                                               | 40-49                                                                    | Dimming curve Gamma2.2        |
|           |                  |                                               | 50-59                                                                    | Dimming curve Gamma2.4        |
|           |                  |                                               | 60-69                                                                    | Dimming curve Gamma2.6        |
|           |                  |                                               | 70-89                                                                    | Reserved channel              |
|           |                  |                                               | 90-99                                                                    | Dimmer mode1                  |
|           |                  |                                               | 100-109                                                                  | Dimmer mode2                  |
|           |                  |                                               | 110-119                                                                  | Dimmer mode3                  |
|           |                  |                                               | 120-129                                                                  | Dimmer mode4                  |
|           |                  |                                               | 130-139                                                                  | Dimmer mode5                  |
|           |                  |                                               | 140-250                                                                  | Reserved channel              |
|           |                  |                                               | 251-255                                                                  | Fixture reset                 |

## ► 51Channel Mode

| CH | Function                |                    | DMX Value           | Remarks                             |
|----|-------------------------|--------------------|---------------------|-------------------------------------|
| 1  | Pan1                    |                    | 0--255              | Pan1 adjustment                     |
| 2  | Pan1 fine-adjustment    |                    | 0--255              | Pan1 fine-adjustment                |
| 3  | Tilt1                   |                    | 0--255              | Tilt1 adjustment                    |
| 4  | Tilt1 fine-adjustment   |                    | 0--255              | Tilt1 fine-adjustment               |
| 5  | Pan Tilt Speed1         |                    | 0--255              | Fast to Slow                        |
| 6  | Zoom1                   |                    | 0--255              | Narrow to Wide                      |
| 7  | Dimmer1                 |                    | 0--255              | Dark to Bright                      |
| 8  | Dimmer fine-adjustment1 |                    | 0--255              | Dark to Bright                      |
| 9  |                         | Strobe1            | 0--3                | Strobe ON                           |
|    |                         |                    | 4--203              | Strobe Sync: Slow to Fast (1–25 Hz) |
|    |                         |                    | 204--255            | Random Strobe                       |
| 10 | Middle 200W LED1        | R1 Dimmer          | 0--255              | Dark to Bright                      |
| 11 |                         | G1 Dimmer          | 0--255              | Dark to Bright                      |
| 12 |                         | B1 Dimmer          | 0--255              | Dark to Bright                      |
| 13 |                         | W1 Dimmer          | 0--255              | Dark to Bright                      |
| 14 |                         | Color Temperature1 | 0--7                | No Function                         |
|    | 8--25                   |                    | R 100%, G UP, B 0%  |                                     |
|    | 26--43                  |                    | R DOWN, G100%, B 0% |                                     |

| <b>CH</b> | <b>Function</b> | <b>DMX Value</b> | <b>Remarks</b>                 |
|-----------|-----------------|------------------|--------------------------------|
|           |                 | 44--61           | R 0%, G 100%, B UP             |
|           |                 | 62-79            | R 0%, G DOWN, B 100%           |
|           |                 | 80--97           | R UP, G 0%, B 100%             |
|           |                 | 98-115           | R 100%, G 0%, B DOWN           |
|           |                 | 116--133         | R 100%, G UP, B UP             |
|           |                 | 134--152         | R DOWN, G DOWN, B 100%         |
|           |                 | 152--170         | R 100%, G 100%, B 100%, W 100% |
|           |                 | 171-175          | 2300K                          |
|           |                 | 176--180         | 2800K                          |
|           |                 | 181--185         | 3200K                          |
|           |                 | 186--190         | 3700K                          |
|           |                 | 191--195         | 4000K                          |
|           |                 | 196--200         | 4500K                          |
|           |                 | 201--205         | 5000K                          |
|           |                 | 206--210         | 5600K                          |
|           |                 | 211--215         | 6000K                          |
|           |                 | 216--220         | 6500K                          |
|           |                 | 221--225         | 7000K                          |
|           |                 | 226--230         | 7500K                          |

| CH | Function  |                                               | DMX Value | Remarks                             |
|----|-----------|-----------------------------------------------|-----------|-------------------------------------|
|    |           |                                               | 231--235  | 8000K                               |
|    |           |                                               | 236--240  | 8500K                               |
|    |           |                                               | 241--245  | 9000K                               |
|    |           |                                               | 246--250  | 9500K                               |
|    |           |                                               | 251--255  | 10000K                              |
| 15 |           | Strobe1                                       | 0--3      | Strobe ON                           |
|    |           |                                               | 4--203    | Strobe Sync: Slow to Fast (1–25 Hz) |
|    |           |                                               | 204--255  | Random Strobe                       |
| 16 |           | R1 Dimmer                                     | 0--255    | Dark to Bright                      |
| 17 |           | G1 Dimmer                                     | 0--255    | Dark to Bright                      |
| 18 |           | B1 Dimmer                                     | 0--255    | Dark to Bright                      |
| 19 | LED Ring1 | Effect1                                       | 0--4      | No function                         |
|    |           |                                               | 5--255    | 5 DMX values per effect             |
| 20 |           | Dynamic effect speed1 (works with channel 19) | 0-9       | No function                         |
|    |           |                                               | 10--132   | Forward effect (fast to slow)       |
|    |           |                                               | 133--255  | Reverse effect (fast to slow)       |
| 21 |           | Effect fade1 (works with channel 19)          | 0--255    | Fast to Slow                        |
| 22 |           | Background strobe                             | 0--255    | Background strobe                   |

| <b>CH</b> | <b>Function</b>         |              | <b>DMX Value</b> | <b>Remarks</b>                      |
|-----------|-------------------------|--------------|------------------|-------------------------------------|
| 23        |                         | Background R | 0--255           | Dark to Bright                      |
| 24        |                         | Background G | 0--255           | Dark to Bright                      |
| 25        |                         | Background B | 0--255           | Dark to Bright                      |
| 26        | Pan2                    |              | 0--255           | Pan1 adjustment                     |
| 27        | Pan2 fine-adjustment    |              | 0--255           | Pan1 fine-adjustment                |
| 28        | Tilt2                   |              | 0--255           | Tilt1 adjustment                    |
| 29        | Tilt2 fine-adjustment   |              | 0--255           | Tilt1 fine-adjustment               |
| 30        | Pan Tilt Speed2         |              | 0--255           | Fast to Slow                        |
| 31        | Zoom2                   |              | 0--255           | Narrow to Wide                      |
| 32        | Dimmer2                 |              | 0--255           | Dark to Bright                      |
| 33        | Dimmer fine-adjustment2 |              | 0--255           | Dark to Bright                      |
| 34        |                         | Strobe2      | 0--3             | Strobe ON                           |
|           |                         |              | 4--203           | Strobe Sync: Slow to Fast (1–25 Hz) |
|           |                         |              | 204--255         | Random Strobe                       |
| 35        | Middle 200W LED2        | R2 Dimmer    | 0--255           | Dark to Bright                      |
| 36        |                         | G2 Dimmer    | 0--255           | Dark to Bright                      |
| 37        |                         | B2 Dimmer    | 0--255           | Dark to Bright                      |
| 38        |                         | W2 Dimmer    | 0--255           | Dark to Bright                      |
| 39        |                         | Color        | 0--7             | No Function                         |

| <b>CH</b> | <b>Function</b>  | <b>DMX Value</b> | <b>Remarks</b>                 |
|-----------|------------------|------------------|--------------------------------|
|           | Temperatur<br>e2 | 8--25            | R 100%, G UP, B 0%             |
|           |                  | 26--43           | R DOWN, G100%, B 0%            |
|           |                  | 44--61           | R 0%, G100%, B UP              |
|           |                  | 62-79            | R 0%, G DOWN, B 100%           |
|           |                  | 80--97           | R UP, G 0%, B 100%             |
|           |                  | 98-115           | R 100%, G 0%, B DOWN           |
|           |                  | 116--133         | R 100%, G UP, B UP             |
|           |                  | 134--152         | R DOWN, G DOWN, B 100%         |
|           |                  | 152--170         | R 100%, G 100%, B 100%, W 100% |
|           |                  | 171-175          | 2300K                          |
|           |                  | 176--180         | 2800K                          |
|           |                  | 181--185         | 3200K                          |
|           |                  | 186--190         | 3700K                          |
|           |                  | 191--195         | 4000K                          |
|           |                  | 196--200         | 4500K                          |
|           |                  | 201--205         | 5000K                          |
|           |                  | 206--210         | 5600K                          |
|           | 211--215         | 6000K            |                                |
|           | 216--220         | 6500K            |                                |

| CH | Function  |                                               | DMX Value | Remarks                             |
|----|-----------|-----------------------------------------------|-----------|-------------------------------------|
|    |           |                                               | 221--225  | 7000K                               |
|    |           |                                               | 226--230  | 7500K                               |
|    |           |                                               | 231--235  | 8000K                               |
|    |           |                                               | 236--240  | 8500K                               |
|    |           |                                               | 241--245  | 9000K                               |
|    |           |                                               | 246--250  | 9500K                               |
|    |           |                                               | 251--255  | 10000K                              |
| 40 |           | Strobe2                                       | 0--3      | Strobe ON                           |
|    |           |                                               | 4--203    | Strobe Sync: Slow to Fast (1–25 Hz) |
|    |           |                                               | 204--255  | Random Strobe                       |
| 41 |           | R2 Dimmer                                     | 0--255    | Dark to Bright                      |
| 42 |           | G2 Dimmer                                     | 0--255    | Dark to Bright                      |
| 43 |           | B2 Dimmer                                     | 0--255    | Dark to Bright                      |
| 44 | LED Ring2 | Effect2                                       | 0--4      | No function                         |
|    |           |                                               | 5--255    | 5 DMX values per effect             |
| 45 |           | Dynamic effect speed2 (works with channel 44) | 0-9       | No function                         |
|    |           |                                               | 10--132   | Forward effect (fast to slow)       |
|    |           |                                               | 133--255  | Reverse effect (fast to slow)       |
| 46 |           | Effect fade2 (works with                      | 0--255    | Fast to Slow                        |

| CH | Function         |                   | DMX Value                                                                | Remarks                |
|----|------------------|-------------------|--------------------------------------------------------------------------|------------------------|
|    |                  | channel 44)       |                                                                          |                        |
| 47 |                  | Background strobe | 0--255                                                                   | Background strobe      |
| 48 |                  | Background R      | 0--255                                                                   | Dark to Bright         |
| 49 |                  | Background G      | 0--255                                                                   | Dark to Bright         |
| 50 |                  | Background B      | 0--255                                                                   | Dark to Bright         |
| 51 | Function Channel |                   | To activate the following functions, keep the DMX value for at least 3s. |                        |
|    |                  |                   | 0-29                                                                     | Reserved channel       |
|    |                  |                   | 30-39                                                                    | Dimming curve Gamma2.0 |
|    |                  |                   | 40-49                                                                    | Dimming curve Gamma2.2 |
|    |                  |                   | 50-59                                                                    | Dimming curve Gamma2.4 |
|    |                  |                   | 60-69                                                                    | Dimming curve Gamma2.6 |
|    |                  |                   | 70-89                                                                    | Reserved channel       |
|    |                  |                   | 90-99                                                                    | Dimmer mode1           |
|    |                  |                   | 100-109                                                                  | Dimmer mode2           |
|    |                  |                   | 110-119                                                                  | Dimmer mode3           |
|    |                  |                   | 120-129                                                                  | Dimmer mode4           |
|    |                  |                   | 130-139                                                                  | Dimmer mode5           |
|    |                  |                   | 140-250                                                                  | Reserved channel       |

| CH | Function | DMX Value | Remarks       |
|----|----------|-----------|---------------|
|    |          | 251-255   | Fixture reset |

## ► 57 Channel Mode

| CH | Function              | DMX Value                  | Remarks               |                                     |
|----|-----------------------|----------------------------|-----------------------|-------------------------------------|
| 1  | Pan1                  | 0--255                     | Pan1 adjustment       |                                     |
| 2  | Pan1 fine-adjustment  | 0--255                     | Pan1 fine-adjustment  |                                     |
| 3  | Tilt1                 | 0--255                     | Tilt1 adjustment      |                                     |
| 4  | Tilt1 fine-adjustment | 0--255                     | Tilt1 fine-adjustment |                                     |
| 5  | Pan Tilt Speed1       | 0--255                     | Fast to Slow          |                                     |
| 6  | Zoom1                 | 0--255                     | Narrow to Wide        |                                     |
| 7  | Middle<br>200W<br>LED | Dimmer1                    | 0--255                | Dark to Bright                      |
| 8  |                       | Dimmer<br>fine-adjustment1 | 0--255                | Dark to Bright                      |
| 9  |                       | Strobe1                    | 0--3                  | Strobe ON                           |
|    |                       |                            | 4--203                | Strobe Sync: Slow to Fast (1–25 Hz) |
|    |                       |                            | 204--255              | Random Strobe                       |
| 10 |                       | R1 Dimmer                  | 0--255                | Dark to Bright                      |
| 11 |                       | G1 Dimmer                  | 0--255                | Dark to Bright                      |
| 12 |                       | B1 Dimmer                  | 0--255                | Dark to Bright                      |
| 13 |                       | W1 Dimmer                  | 0--255                | Dark to Bright                      |

| CH | Function |                           | DMX Value | Remarks                        |
|----|----------|---------------------------|-----------|--------------------------------|
| 14 |          | Color<br>Temperatur<br>e1 | 0--7      | No Function                    |
|    |          |                           | 8--25     | R 100%, G UP, B 0%             |
|    |          |                           | 26--43    | R DOWN, G100%, B 0%            |
|    |          |                           | 44--61    | R 0%, G100%, B UP              |
|    |          |                           | 62-79     | R 0%, G DOWN, B 100%           |
|    |          |                           | 80--97    | R UP, G 0%, B 100%             |
|    |          |                           | 98-115    | R 100%, G 0%, B DOWN           |
|    |          |                           | 116--133  | R 100%, G UP, B UP             |
|    |          |                           | 134--152  | R DOWN, G DOWN, B 100%         |
|    |          |                           | 152--170  | R 100%, G 100%, B 100%, W 100% |
|    |          |                           | 171-175   | 2300K                          |
|    |          |                           | 176--180  | 2800K                          |
|    |          |                           | 181--185  | 3200K                          |
|    |          |                           | 186--190  | 3700K                          |
|    |          |                           | 191--195  | 4000K                          |
|    |          |                           | 196--200  | 4500K                          |
|    |          |                           | 201--205  | 5000K                          |
|    |          |                           | 206--210  | 5600K                          |
|    |          |                           | 211--215  | 6000K                          |
|    |          |                           | 216--220  | 6500K                          |

| CH | Function  |              | DMX Value                        | Remarks                             |
|----|-----------|--------------|----------------------------------|-------------------------------------|
|    |           |              | 221--225                         | 7000K                               |
|    |           |              | 226--230                         | 7500K                               |
|    |           |              | 231--235                         | 8000K                               |
|    |           |              | 236--240                         | 8500K                               |
|    |           |              | 241--245                         | 9000K                               |
|    |           |              | 246--250                         | 9500K                               |
|    |           |              | 251--255                         | 10000K                              |
| 15 |           | Color macro1 | 0--9                             | No Function                         |
|    |           |              | 10--19                           | Color macro1                        |
|    |           |              | 20--29                           | Color macro2                        |
|    |           |              | ..... (One effect per 10 values) | .....                               |
|    |           |              | 150--255                         | Color macro15                       |
| 16 | LED Ring  | Dimmer1      | 0--255                           | Dark to Bright                      |
| 17 |           | Strobe1      | 0--3                             | Strobe ON                           |
|    |           |              | 4--203                           | Strobe Sync: Slow to Fast (1–25 Hz) |
|    |           |              | 204--255                         | Random Strobe                       |
| 18 |           | R1 Dimmer    | 0--255                           | Dark to Bright                      |
| 19 |           | G1 Dimmer    | 0--255                           | Dark to Bright                      |
| 20 | B1 Dimmer | 0--255       | Dark to Bright                   |                                     |

| CH | Function              |                                               | DMX Value | Remarks                       |
|----|-----------------------|-----------------------------------------------|-----------|-------------------------------|
| 21 |                       | Effect1                                       | 0--4      | No function                   |
|    |                       |                                               | 5--255    | 5 DMX values per effect       |
| 22 |                       | Dynamic effect speed1 (works with channel 21) | 0-9       | No function                   |
|    |                       |                                               | 10--132   | Forward effect (fast to slow) |
|    |                       |                                               | 133--255  | Reverse effect (fast to slow) |
| 23 |                       | Effect fade1 (works with channel 21)          | 0--255    | Fast to Slow                  |
| 24 |                       | Background Dimmer                             | 0--255    | Dark to Bright                |
| 25 |                       | Background strobe                             | 0--255    | Background strobe             |
| 26 |                       | Background R                                  | 0--255    | Dark to Bright                |
| 27 |                       | Background G                                  | 0--255    | Dark to Bright                |
| 28 |                       | Background B                                  | 0--255    | Dark to Bright                |
| 29 | Pan2                  |                                               | 0--255    | Pan1 adjustment               |
| 30 | Pan2 fine-adjustment  |                                               | 0--255    | Pan1 fine-adjustment          |
| 31 | Tilt2                 |                                               | 0--255    | Tilt1 adjustment              |
| 32 | Tilt2 fine-adjustment |                                               | 0--255    | Tilt1 fine-adjustment         |
| 33 | Pan Tilt Speed2       |                                               | 0--255    | Fast to Slow                  |
| 34 | Zoom2                 |                                               | 0--255    | Narrow to Wide                |
| 35 | Middle 200W LED       | Dimmer2                                       | 0--255    | Dark to Bright                |
| 36 |                       | Dimmer                                        | 0--255    | Dark to Bright                |

| CH | Function           | DMX Value        | Remarks                             |
|----|--------------------|------------------|-------------------------------------|
|    |                    | fine-adjustment2 |                                     |
| 37 | Strobe2            | 0--3             | Strobe ON                           |
|    |                    | 4--203           | Strobe Sync: Slow to Fast (1–25 Hz) |
|    |                    | 204--255         | Random Strobe                       |
| 38 | R2 Dimmer          | 0--255           | Dark to Bright                      |
| 39 | G2 Dimmer          | 0--255           | Dark to Bright                      |
| 40 | B2 Dimmer          | 0--255           | Dark to Bright                      |
| 41 | W2 Dimmer          | 0--255           | Dark to Bright                      |
| 42 | Color Temperature2 | 0--7             | No Function                         |
|    |                    | 8--25            | R 100%, G UP, B 0%                  |
|    |                    | 26--43           | R DOWN, G100%, B 0%                 |
|    |                    | 44--61           | R 0%, G100%, B UP                   |
|    |                    | 62-79            | R 0%, G DOWN, B 100%                |
|    |                    | 80--97           | R UP, G 0%, B 100%                  |
|    |                    | 98-115           | R 100%, G 0%, B DOWN                |
|    |                    | 116--133         | R 100%, G UP, B UP                  |
|    |                    | 134--152         | R DOWN, G DOWN, B 100%              |
|    |                    | 152--170         | R 100%, G 100%, B 100%, W 100%      |
|    |                    | 171-175          | 2300K                               |

| CH | Function |              | DMX Value             | Remarks      |
|----|----------|--------------|-----------------------|--------------|
|    |          |              | 176--180              | 2800K        |
|    |          |              | 181--185              | 3200K        |
|    |          |              | 186--190              | 3700K        |
|    |          |              | 191--195              | 4000K        |
|    |          |              | 196--200              | 4500K        |
|    |          |              | 201--205              | 5000K        |
|    |          |              | 206--210              | 5600K        |
|    |          |              | 211--215              | 6000K        |
|    |          |              | 216--220              | 6500K        |
|    |          |              | 221--225              | 7000K        |
|    |          |              | 226--230              | 7500K        |
|    |          |              | 231--235              | 8000K        |
|    |          |              | 236--240              | 8500K        |
|    |          |              | 241--245              | 9000K        |
|    |          |              | 246--250              | 9500K        |
|    |          |              | 251--255              | 10000K       |
| 43 |          | Color macro2 | 0--9                  | No Function  |
|    |          |              | 10--19                | Color macro1 |
|    |          |              | 20--29                | Color macro2 |
|    |          |              | ..... (One effect per | .....        |

| CH | Function          |                                               | DMX Value         | Remarks                              |
|----|-------------------|-----------------------------------------------|-------------------|--------------------------------------|
|    |                   |                                               | 10 values )       |                                      |
|    |                   |                                               | 150--255          | Color macro15                        |
| 44 | LED Ring          | Dimmer2                                       | 0--255            | Dark to Bright                       |
| 45 |                   | Strobe2                                       | 0--3              | Strobe ON                            |
|    |                   |                                               | 4--203            | Strobe Sync: Slow to Fast (1--25 Hz) |
|    |                   |                                               | 204--255          | Random Strobe                        |
| 46 |                   | R2 Dimmer                                     | 0--255            | Dark to Bright                       |
| 47 |                   | G2 Dimmer                                     | 0--255            | Dark to Bright                       |
| 48 |                   | B2 Dimmer                                     | 0--255            | Dark to Bright                       |
| 49 |                   | Effect2                                       | 0--4              | No function                          |
|    |                   |                                               | 5--255            | 5 DMX values per effect              |
| 50 |                   | Dynamic effect speed2 (works with channel 49) | 0-9               | No function                          |
|    |                   |                                               | 10--132           | Forward effect (fast to slow)        |
|    |                   |                                               | 133--255          | Reverse effect (fast to slow)        |
| 51 |                   | Effect fade2 (works with channel 49)          | 0--255            | Fast to Slow                         |
| 52 | Background Dimmer | 0--255                                        | Dark to Bright    |                                      |
| 53 | Background strobe | 0--255                                        | Background strobe |                                      |
| 54 | Background R      | 0--255                                        | Dark to Bright    |                                      |
| 55 | Background G      | 0--255                                        | Dark to Bright    |                                      |

| CH | Function         |              | DMX Value                                                                | Remarks                |
|----|------------------|--------------|--------------------------------------------------------------------------|------------------------|
| 56 |                  | Background B | 0--255                                                                   | Dark to Bright         |
| 57 | Function Channel |              | To activate the following functions, keep the DMX value for at least 3s. |                        |
|    |                  |              | 0-29                                                                     | Reserved channel       |
|    |                  |              | 30-39                                                                    | Dimming curve Gamma2.0 |
|    |                  |              | 40-49                                                                    | Dimming curve Gamma2.2 |
|    |                  |              | 50-59                                                                    | Dimming curve Gamma2.4 |
|    |                  |              | 60-69                                                                    | Dimming curve Gamma2.6 |
|    |                  |              | 70-89                                                                    | Reserved channel       |
|    |                  |              | 90-99                                                                    | Dimmer mode1           |
|    |                  |              | 100-109                                                                  | Dimmer mode2           |
|    |                  |              | 110-119                                                                  | Dimmer mode3           |
|    |                  |              | 120-129                                                                  | Dimmer mode4           |
|    |                  |              | 130-139                                                                  | Dimmer mode5           |
|    |                  |              | 140-250                                                                  | Reserved channel       |
|    |                  |              | 251-255                                                                  | Fixture reset          |

### ► 23+14 Channel Mode

| CH                    | Function | DMX Value | Remarks |
|-----------------------|----------|-----------|---------|
| <b>DMX512 Control</b> |          |           |         |

| <b>CH</b> | <b>Function</b>        | <b>DMX Value</b>           | <b>Remarks</b>        |                                     |
|-----------|------------------------|----------------------------|-----------------------|-------------------------------------|
| 1         | Pan1                   | 0--255                     | Pan1 adjustment       |                                     |
| 2         | Pan1 fine-adjustment   | 0--255                     | Pan1 fine-adjustment  |                                     |
| 3         | Tilt1                  | 0--255                     | Tilt1 adjustment      |                                     |
| 4         | Tilt1 fine-adjustment  | 0--255                     | Tilt1 fine-adjustment |                                     |
| 5         | Pan Tilt Speed1        | 0--255                     | Fast to Slow          |                                     |
| 6         | Zoom1                  | 0--255                     | Narrow to Wide        |                                     |
| 7         | Middle<br>200W<br>LED1 | Dimmer1                    | 0--255                | Dark to Bright                      |
| 8         |                        | Dimmer<br>fine-adjustment1 | 0--256                | Dark to Bright                      |
| 9         |                        | Strobe1                    | 0--3                  | Strobe ON                           |
|           |                        |                            | 4--203                | Strobe Sync: Slow to Fast (1–25 Hz) |
|           |                        |                            | 204--255              | Random Strobe                       |
| 10        | LED<br>Ring1           | Dimmer1                    | 0--255                | Dark to Bright                      |
| 11        |                        | Strobe1                    | 0--3                  | Strobe ON                           |
|           |                        |                            | 4--203                | Strobe Sync: Slow to Fast (1–25 Hz) |
|           |                        |                            | 204--255              | Random Strobe                       |
| 12        | Pan2                   | 0--255                     | Pan2 adjustment       |                                     |
| 13        | Pan2 fine-adjustment   | 0--255                     | Pan2 fine-adjustment  |                                     |
| 14        | Tilt2                  | 0--255                     | Tilt2 adjustment      |                                     |
| 15        | Tilt2 fine-adjustment  | 0--255                     | Tilt2 fine-adjustment |                                     |

| <b>CH</b> | <b>Function</b>        |                            | <b>DMX Value</b>                                                         | <b>Remarks</b>                      |
|-----------|------------------------|----------------------------|--------------------------------------------------------------------------|-------------------------------------|
| 16        | Pan Tilt Speed2        |                            | 0--255                                                                   | Fast to Slow                        |
| 17        | Zoom2                  |                            | 0--255                                                                   | Narrow to Wide                      |
| 18        | Middle<br>200W<br>LED1 | Dimmer2                    | 0--255                                                                   | Dark to Bright                      |
| 19        |                        | Dimmer<br>fine-adjustment2 | 0--255                                                                   | Dark to Bright                      |
| 20        |                        | Strobe2                    | 0--3                                                                     | Strobe ON                           |
|           |                        |                            | 4--203                                                                   | Strobe Sync: Slow to Fast (1–25 Hz) |
|           | 204--255               |                            | Random Strobe                                                            |                                     |
| 21        | LED<br>Ring1           | Dimmer2                    | 0--255                                                                   | Dark to Bright                      |
| 22        |                        | Strobe2                    | 0--3                                                                     | Strobe ON                           |
|           |                        |                            | 4--203                                                                   | Strobe Sync: Slow to Fast (1–25 Hz) |
|           |                        |                            | 204--255                                                                 | Random Strobe                       |
| 23        | Function Channel       |                            | To activate the following functions, keep the DMX value for at least 3s. |                                     |
|           |                        |                            | 0-29                                                                     | Reserved channel                    |
|           |                        |                            | 30-39                                                                    | Dimming curve Gamma2.0              |
|           |                        |                            | 40-49                                                                    | Dimming curve Gamma2.2              |
|           |                        |                            | 50-59                                                                    | Dimming curve Gamma2.4              |
|           |                        |                            | 60-69                                                                    | Dimming curve Gamma2.6              |
|           |                        |                            | 70-89                                                                    | Reserved channel                    |

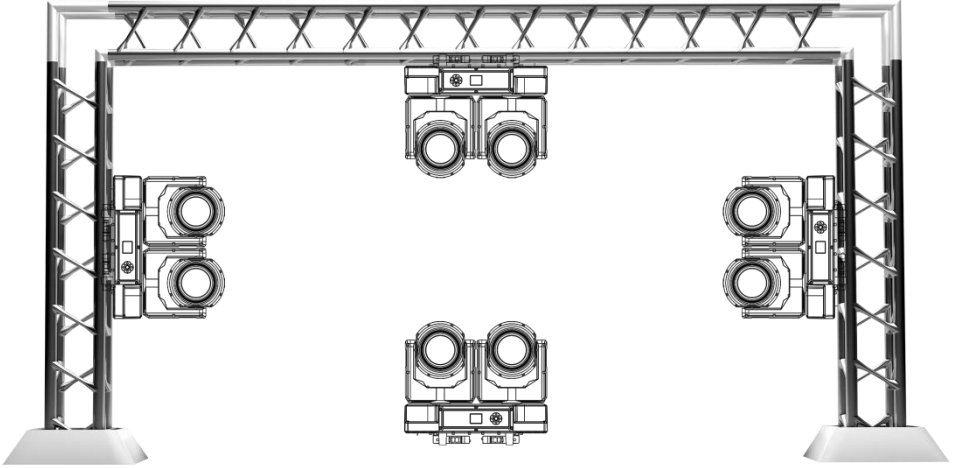
| CH                    | Function               | DMX Value        | Remarks          |               |
|-----------------------|------------------------|------------------|------------------|---------------|
|                       |                        | 90-99            | Dimmer mode1     |               |
|                       |                        | 100-109          | Dimmer mode2     |               |
|                       |                        | 110-119          | Dimmer mode3     |               |
|                       |                        | 120-129          | Dimmer mode4     |               |
|                       |                        | 130-139          | Dimmer mode5     |               |
|                       |                        | 140-250          | Reserved channel |               |
|                       |                        | 251-255          | Fixture reset    |               |
| <b>ArtNet Control</b> |                        |                  |                  |               |
| 1                     | Middle<br>200W<br>LED1 | R1 LED<br>Dimmer | 0--255           | R1 LED Dimmer |
| 2                     |                        | G1 LED<br>Dimmer | 0--255           | G1 LED Dimmer |
| 3                     |                        | B1 LED<br>Dimmer | 0--255           | B1 LED Dimmer |
| 4                     |                        | W1 LED<br>Dimmer | 0--255           | W1 LED Dimmer |
| 5                     | LED<br>Ring1           | R1 LED<br>Dimmer | 0--255           | R1 LED Dimmer |
| 6                     |                        | G1 LED<br>Dimmer | 0--255           | G1 LED Dimmer |
| 7                     |                        | B1 LED<br>Dimmer | 0--255           | B1 LED Dimmer |
| 8                     | Middle<br>200W<br>LED2 | R2 LED<br>Dimmer | 0--255           | R2 LED Dimmer |
| 9                     |                        | G2 LED<br>Dimmer | 0--255           | G2 LED Dimmer |
| 10                    |                        | B2 LED<br>Dimmer | 0--255           | B2 LED Dimmer |
| 11                    |                        | W2 LED<br>Dimmer | 0--255           | W2 LED Dimmer |

| CH | Function  |               | DMX Value | Remarks       |
|----|-----------|---------------|-----------|---------------|
| 12 | LED Ring2 | R2 LED Dimmer | 0--255    | R2 LED Dimmer |
| 13 |           | G2 LED Dimmer | 0--255    | G2 LED Dimmer |
| 14 |           | B2 LED Dimmer | 0--255    | B2 LED Dimmer |

## 8. Mounting

When installing the unit, the trussing or area of installation must be able to hold 10 times the weight without any deformation. When installing the unit must be secured with a secondary safety attachment, e.g. an appropriate safety cable. Never stand directly under the facility while mounting, uninstalling or repairing facilities.

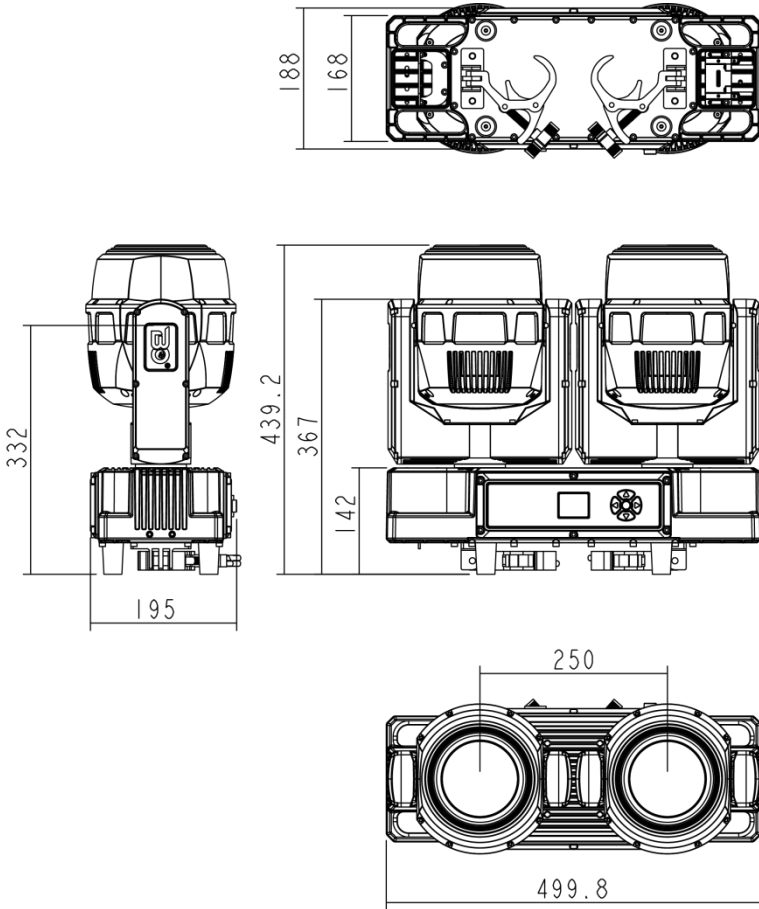
High-altitude mounting requires for extensive experience, including working load limits calculating , installation material, and periodic safety check of installation materials and facilities. If you're lack of mentioned qualifications, do not attempt the installation yourself. These installation should be checked by a skilled person annually.



200IP works properly in above different mounting, hanging upside-down from a ceiling, sideways on trussing, or set on smooth horizontal surface. Be sure this facility is at least 12m (40ft) away from flammable materials (decoration etc.). Always use and install the safety cable to prevent accidental damage or injury from the facility failure. Never use handles for secondary attachment.

**NOTICE:** The suitable environment temperature of the facility is from  $-25^{\circ}\text{C}$  to  $45^{\circ}\text{C}$ . Do not place this facility in an environment where the temperatures are under or above the temperatures stated. This will help the fixture run at its best and extend the lifetime.

## 9. Product Size



## 10. Attention

1. When the facility is powered on, please avoid looking directly at the facility.
2. When assembling/ replacing LEDs, be sure to cut off the main power of facilities before opening the cover upon the LED board.

## 11. Trouble Shooting

Following are a few common problems that may occur during operation. Here are some suggestions for easy troubleshooting:

### **A. The unit does not work, no light and the fan does not work**

1. Check the status of power connection and fuse.
2. Check the voltage.
3. Check the power indicator.

### **B. No response to DMX controller**

1. If the display screen flashes, check the DMX signal connector and signal line whether the connection is correct.
2. If the display screen does not flash, but no response to channel control, check whether the address code or channel setting is correct.
3. If the DMX signal transmission is intermittent, check if the XLR and DMX cables are in good condition.
4. Try using another controller.
5. Check if the DMX cables is too close to the high-voltage wire, which may damage or interfere with the signal circuit.
6. The facility has not completed the self-check.

### **C. One of the channels is not working well**

1. The stepper motor might be damaged or the cable connected to the PCB is broken.
2. The motor's drive IC on the PCB might be out of condition.

## 12. Fixture Cleaning

The lens and diffuser should be clean frequently to get better light effect. Wipe frequency according to the environment. Humidity, excessive smoke, and dirty environment will make lens dusty.

- Use soft cloth and special glass cleaner.
- Wipe lens surface at least every 30 days.
- Use vacuum cleaners or air guns to clean the interior structure of the facility, at least twice a year.



Warning:

To avoid the danger of lighting strikes and fire, please do not place the facility in a humid environment. Do not disassemble it without permission, otherwise, the manufacturer will not provide warranty. If the facility fails, please contact the manufacturer first.

## Product Warranty Card

Product: IP66 2x260W Double Head Splicable Moving Light

Model NO.: 200IP

Manufacture Date:

User:

Purchase Date:

Manufacturer:

Sales Store:

Address:

ATTN.:

ATTN.:

Phone:

Phone:

Note: The above blank must be filled in and sealed by the end user or sales point, otherwise no warranty will be provided. (Below please check the warranty period and terms)

Warranty Period: This facility is warranted for 2 years from the date of purchase.

Warranty Terms:

1. Except for man-made damage and natural disasters
2. If the facility fails to function properly during the warranty period, please contact our after service department or our local distributor directly.
  - 1) Fail to present a valid warranty card.
  - 2) Omissions, alterations, and trade sales names on the warranty card.
  - 3) Failures and damage caused by force majeure.
  - 4) Failures and damage caused during transportation and handling.
  - 5) Failures and damage caused by failure to follow the instructions for use.
  - 6) Failures and damage caused by disassembly, repair, and modification of the product without the manufacturer's authorization or by non-professionals.
  - 7) Failures caused by the use of accessories not approved by the factory or not matched by the factory.

▲ Thank you for reading this manual. Please keep it for future reference.