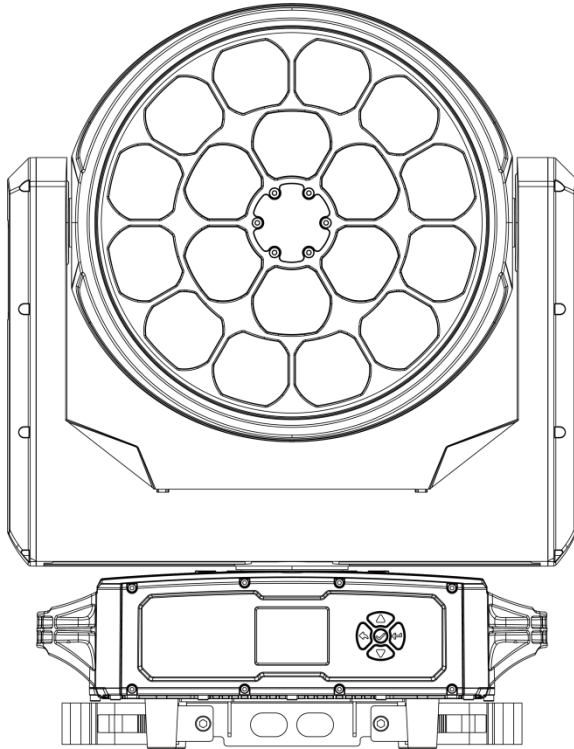


19120BW

IP66 19x120W Big-Eye with Additive Color Synthesis Moving WASH



User Manual

Please read manual carefully before use

CONTENTS

1. Safety Instructions	2
2. Technical Specification	4
3. DMX Set Up	6
4. Display	7
5. Menu	8
6. LUX Data	12
7. DMX Channel List	12
8. Mounting	32
9. Product Size	34
10. Attention	34
11. Trouble Shooting	35
A. The unit does not work, no light and the fan does not work	35
B. Not responding to DMX controller	35
C. One of the channels is not working well	35
12. Fixture Cleaning	36

Thank you for choosing our LED lights. Each facility has been rigorously tested. Please check whether the facility has been damaged during transportation. If you find any parts are missing or broken, please contact the manufacturer immediately. Please do not return the product without any notice!

1.Safety Instructions



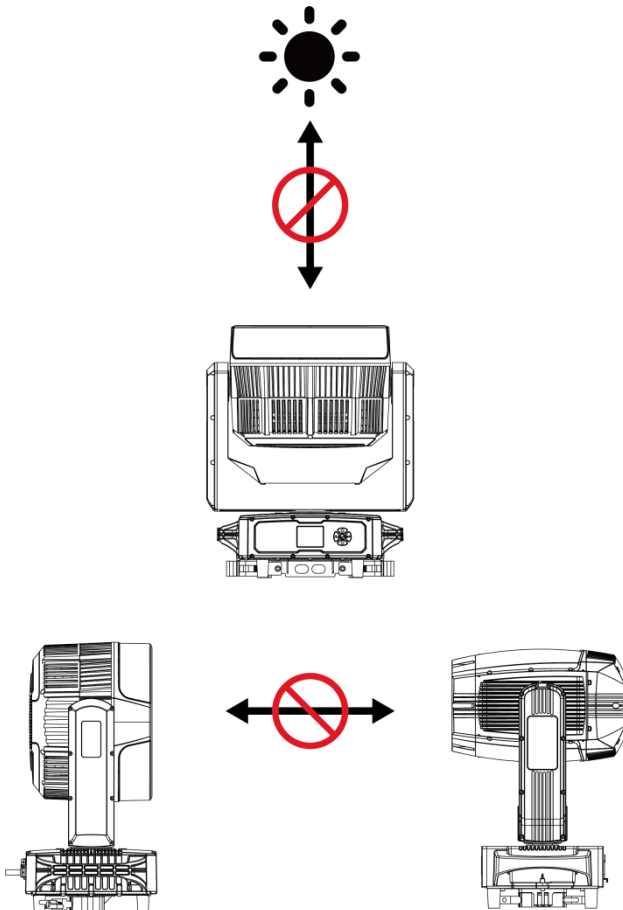
Please read this manual carefully, which includes important information on installation, use and maintenance.

Attention

- Please keep this USER MANUAL for future consultation. If you sell the facility to another user, be sure that they also receive this USER MANUAL.
- Please open and check in details and make sure there is no transportation damage.
- Before operating, ensure that the voltage and frequency of power supply match the power requirements of the facility.
- It's important to ground the yellow/green conductor to earth in order to avoid electric shock.
- The facility must be installed in a location with adequate ventilation, at least 50 cm from adjacent surfaces. Be sure that no ventilation slots are blocked.
- Make sure the power is disconnected before removing the facility.
- Make sure there are no flammable materials close to the unit while operating as it is fire hazard.
- Use safety cable when fixes this facility. Do not handle the facility by taking its head only, but always by taking its base.
- Maximum ambient temperature is 40 °C . Do not operate it where the temperature is higher than this.
- Please stop using the facility for serious operating problems. Stop using the facility immediately. Never try to repair the facility by yourself, but be a professional technician. Please contact the supplier's service department

for technical support.

- Do not touch any wire during operation as high voltage might be causing electric shock.
- When the housing or lens is damaged, it must be replaced.
- Direct sunlight or any other strong light source penetrating the lens of the light will cause serious internal damage to the facility. During unpacking, installation, use and long-term outdoor idleness, it is forbidden to expose the lens of the facility to direct sunlight or any other strong light source at any angle. It is forbidden to aim the beam of one light directly at another light.



Caution

There are no accessories available, do not open the housing and try to repair the facilities yourself. Please contact our company for after service.

Installation

The unit should be mounted via its screw holes on the bracket. Always ensure that the unit is firmly fixed to avoid vibration and slipping while operating. And make sure that the structure to which you are attaching the unit is secure and is able to support a weight of 10 times of the unit's weight. Also always use a safety cable that can hold 12 times of the weight of the unit when installing the fixture.

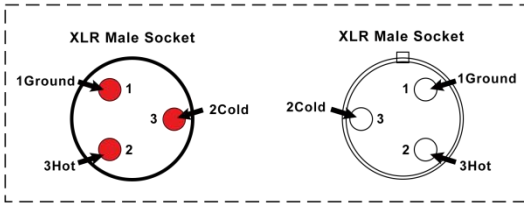
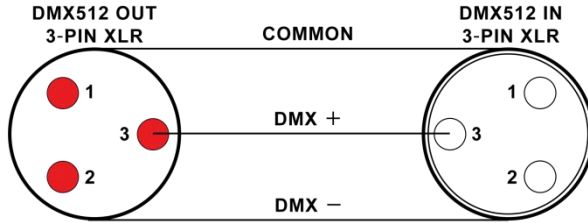
The facility must be installed by professionals, and keep it far away from fire, walking road, and easy touched place.

2. Technical Specification

Power	AC100-240V, 50/60Hz	
Power Consumption	2100W	
Light Source	19x120W RGBW LED	
	132x0.5W RGB LED	
Beam Angle	2.5°-43°	
Movement	Pan	540°
	Tilt	230°
	Accuracy	16-bit
	Correction	Automatic position correction after step loss
Control	Channel Mode	21/ 37/ 42/ 100CH, 13+472CH(DMX+Art Net)
	Control	DMX512

	Protocol	RDM
		Art-Net(optional)
		sACN(optional)
	Software Upgrade	Supports firmware update via DMX
Structure	Display	Reversible 2.8 inch TFT
	Data Connector	3-pin&5-pin XLR socket
		RJ45 optional
		Wireless DMX(optional)
	Power Connector	PowerCON in/ out
16A in/ out(optional)		
Protection Rate	IP66	
Features	19 × 120W LED with individual pixel control	
	132 RGB LEDs above the 120W LED array as auxiliary wash light, individually controllable	
	Smooth 0–100% dimming with various strobe effects at different speeds	
	4 dimming curves	
	CTO color temperature: 2300K to 10000K	
	Excellent color macro effects	
	Motorized zoom system	
	Integrated beam, wash, honeycomb, and auxiliary wash effects in one fixture	
	Temperature sensor detection with intelligent light source power adjustment and smart fan speed control	
Environment Temperature	operates in ambient temperatures from -20°C to 45°C.	
Installation	Can be inverted suspended, horizontally mounted on truss, or placed on a flat horizontal surface. Always use and install a safety cable as a safety precaution	
Dimension	480*370*585mm	
NET Weight	30KG	
Accessory	1pc DMX cable	
	1pc Power Cable	
	1pc User Manual	

3. DMX Set Up



XLR Pin Configuration	
pin 1	=Ground
pin 2	=Data Compliment (negative)
pin 3	=Data true (positive)

Pin1: Ground

pin2: Negative

pin3: Positive

DMX Connection

To ensure optimal transmission of DMX data, please connect facilities in the shortest way. The connection order won't affect the DMX address code. For example, if the address code is set to 1, no matter where the facility is connected, its address code will not change. This is determined by the principle of the DMX controller.






Operation method

You can operate in the following three modes:

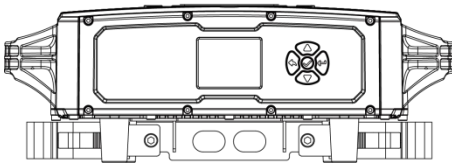
- Auto mode - the light can automatically complete all color changes
- DMX control mode - each light can be individually controlled by a standard DMX512 console
- Master mode - any light can work as a host in any of the above modes, and the other lights will work synchronously as slaves.

4. Display

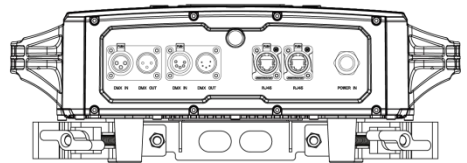
There are five buttons on the LED panel: ESC, UP, DOWN, ENTER and SAVE.

Display				
				
ESC	UP	DOWN	ENTER	SAVE
ESC	to exit or back to the previous menu			
UP/ DOWN	to navigate through menu options or adjust values			
SAVE	to save the adjusted settings/ values and back to the previous menu			
ENTER	to enter next menu level.			

FRONT VIEW



REAR VIEW



After powering on, the facility will automatically return to the last operation when it was powered off, then get into standby status. For more details, please refer to the information below↓

5. Menu

Main Menu	Sub Menu	Level 3 Menu	Level 4 Menu	Remarks	
Menu	1. Pan Degree	1. 540 2. 360		Pan Degree Selection	
	2. Mic Sense	001--100		Mic Sense Adjustment	
	3. No Signal	1. BlackOut 2. Hold		NO Signal Status	
	4. Dimmer Mode	1. Dimmer Mode1			Dimmer Mode Selection
		2. Dimmer Mode2			
		3. Dimmer Mode3			
		4. Dimmer Mode4			
		5. Dimmer Mode5			
	5. Gamma Curve	1. Gamma Curve2.0			Gamma Curve selection
		2. Gamma Curve2.2			
		3. Gamma Curve2.4			
		4. Gamma Curve2.6			
	6. Fan Set	1. Auto 2. Low 3. High			Fan Mode Selection
	7. ArtNet Set	1. ArtNet Enable		1. On 2. Off	Network function setting (when network is available)
		2. Universe		0---255	
3. IP Mode			A. 2.X.X.X auto B. 10.X.X.X auto C. Custom		
4. Custom IP			192.168.00 0.001		
5. SubNetMask			255.000.00 0.000		
8. WirelessDmx Set	1. WirelessDmx Enable		1. On 2. Off		
	2. RX-TX Mode		1. Only Receive 2. Receive+Tr		

Main Menu	Sub Menu	Level 3 Menu	Level 4 Menu	Remarks	
			ansmit		
		3. UnLink	1. Yes 2. No		
	9. Default	1. Yes		Factory Default Reset	
		2. No			
	10. Adjust	Pass Word: ****		1. Pan: 0--255	Adjusting the Pan/Tilt/Focus values allows angle calibration.
				2. Tilt: 0--255	
				3. Focus: 0--255	
				4. Rota: 0--255	
				5. Red: 0--255	Adjusting the R/G/B/W values allows white balance adjustment.
				6. Green: 0--255	
7. Blue: 0--255					
8. White: 0--255					
Addr	001--512			Address Setting 001--512	
Mode	1. DMX512			Control mode setting	
	2. Auto	1. Master 2. Alone			
	3. Sound	1. Master 2. Alone			
	4. Manual			1. Pan: 0--255	
				3. Tilt: 0--255	
				4. Focus: 0--255	
				5. Rota: 0--255	
				6. Red: 0--255	

Main Menu	Sub Menu	Level 3 Menu	Level 4 Menu	Remarks
			7. Green: 0--255	
			8. Blue: 0--255	
			9. White: 0--255	
			10. Strobe1 : 0-255	
			11. Red1: 0--255	
			11. Green1: 0--255	
			12. Blue: 0--255	
			13. Strobe1 : 0-255	
Channel	1. 21 Channels	21CH		Channel mode selection
	2. 37 Channels	37CH		
	3. 42 Channels	42CH		
	4. 100 Channels	100CH		
	5. 472 Channels	472CH (13+472CH)	DMX+ART NET	
Rever	1. Pan Invert)	1. YES 2. NO		Pan inversion
	2. Tilt Invert	1. YES 2. NO		Tilt inversion
	3. Display Invert	1. YES 2. NO		Display inversion
Language	1. English			Language Selection
	2. Chinese			
Reset	1. YES			
	2. NO			
Inform	1. CH Value			Channel information display

Main Menu	Sub Menu	Level 3 Menu	Level 4 Menu	Remarks
	2. Tem**°C	1.LED Temp **°C		Temperature display
		2.Display Temp **°C		
	3. Version:**	1.DIS-PL-1000M-1.0 Soft T**		Firmware Version
		2.3120100163A-MOB 10 Soft V**		
		3.19120-DZB-A-1.0 V**		
	4. IP:192.16 8.000.001			
	5. Mask: 255.000.000. 000			
	6. Use Time ****			
	7. Clear Time	Pass Word: ***		

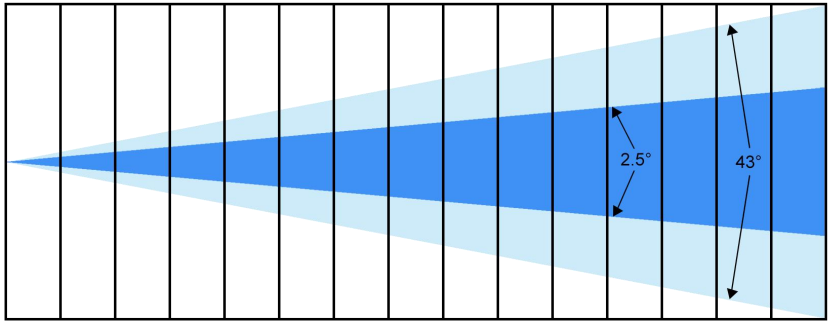
6. LUX Data

BeamAngle=2.5°

R lux	21300	11100	8800	4489	2200
G lux	49700	28800	18600	9489	545
B lux	10100	5370	3400	1734	850
W lux	112000	60400	44000	22448	11000
ALL lux	172000	91500	66500	33928	16625

BeamAngle=43°

R lux	6900	1010	352	180	88
G lux	16300	2330	820	418	205
B lux	3230	454	162	82	40
W lux	36600	4980	1770	903	442
ALL lux	58000	8050	2880	1469	720



Distance(m)		1	3	5	7	10
Spot diameter(m) 2.5°		0.36	0.45	0.67	0.78	0.93
Spot diameter(m)43°		1.05	2.48	4.10	5.74	8.20

7. DMX Channel List

► 21CH Mode

CH	Function	DMX Value	Remarks
1	Pan	0--255	Pan Movement
2	Pan fine-adjustment	0--255	Pan fine-adjustment
3	Tilt	0--255	Tilt Movement

CH	Function	DMX Value	Remarks	
4	Tilt fine-adjustment	0--255	Tilt fine-adjustment	
5	Pan Tilt Speed	0--255	Fast to Slow	
6	Zoom	0--255	Narrow to Wide	
7	Rotation	0--155	0~60°	
		156--205	Clockwise infinite rotation	
		206--255	Counterclockwise infinite rotation	
8	Dimmer	0--255	Linear dimming 0%~100%	
9	Dimmer fine-adjustment	0--255	Dimmer fine-adjustment	
10	Strobe	0--3	Strobe ON	
		4--203	Strobe Sync: Slow to Fast (1-25 Hz)	
		204--255	Random Strobe	
11	R Dimmer	0--255	Linear dimming 0%~100%	
12	G Dimmer	0--255	Linear dimming 0%~100%	
13	B Dimmer	0--255	Linear dimming 0%~100%	
14	W Dimmer	0--255	Linear dimming 0%~100%	
15	120W LED	Color Temperature	0-7	No function
			8--25	R 100%, G UP, B 0%
			26--43	R DOWN, G 100%, B 0%
			44--61	R 0%, G 100%, B UP
			62-79	R 0%, G DOWN, B 100%
			80--97	R UP, G 0%, B 100%
			98-115	R 100%, G 0%, B DOWN
			116--133	R 100%, G UP, B UP
			134--152	R DOWN, G DOWN, B 100%
			152--170	R 100%, G 100%, B 100%, W 100%
			171-175	2300K
176--180	2800K			

CH	Function		DMX Value	Remarks
			181--185	3200K
			186--190	3700K
			191--195	4000K
			196--200	4500K
			201--205	5000K
			206--210	5600K
			211--215	6000K
			216--220	6500K
			221--225	7000K
			226--230	7500K
			231--235	8000K
			236--240	8500K
			241--245	9000K
			246--250	9500K
			251--255	10000K
16	Auxiliary 0.5W LED	Strobe	0--3	Strobe ON
			4--203	Strobe Sync: Slow to Fast (1--25 Hz)
			204--255	Random Strobe
17	Auxiliary 0.5W LED	R Dimmer	0--255	Dark to Bright
18		G Dimmer	0--255	Dark to Bright
19		B Dimmer	0--255	Dark to Bright

CH	Function		DMX Value	Remarks
20		Color macro	0--255	Color macro
21	Function Channel		To activate the following functions, keep the DMX value for at least 3s.	
			0-29	Reserved channel
			30-39	Dimming curve Gamma2.0
			40-49	Dimming curve Gamma2.2
			50-59	Dimming curve Gamma2.4
			60-69	Dimming curve Gamma2.6
			70-89	Reserved channel
			90-99	Dimmer mode1
			100-109	Dimmer mode2
			110-119	Dimmer mode3
			120-129	Dimmer mode4
			130-139	Dimmer mode5
			140-149	Reserved channel
			150--159	Enable wireless function
			160--169	Disable wireless function
			170-250	Reserved channel
251-255	Fixture reset			

► 37CH Mode

CH	Function	DMX Value	Remarks
1	Pan	0--255	Pan Movement
2	Pan fine-adjustment	0--255	Pan fine-adjustment
3	Tilt	0--255	Tilt Movement

CH	Function	DMX Value	Remarks	
4	Tilt fine-adjustment	0--255	Tilt fine-adjustment	
5	Pan Tilt Speed	0--255	Fast to Slow	
6	Zoom	0--255	Narrow to Wide	
7	Rotation	0--155	0~60°	
		156--205	Clockwise infinite rotation	
		206--255	Counterclockwise infinite rotation	
8	120W LED	Dimmer	0--255	Dark to Bright
9		Dimmer fine-adjustment	0--255	Dark to Bright
10		Strobe	0--3	Strobe ON
			4--203	Strobe Sync: Slow to Fast (1-25 Hz)
			204--255	Random Strobe
11		R Dimmer	0--255	Dark to Bright
12		G Dimmer	0--255	Dark to Bright
13		B Dimmer	0--255	Dark to Bright
14		W Dimmer	0--255	Dark to Bright
15		Color Temperature	0-7	No function
			8--25	R 100%, G UP, B 0%
			26--43	R DOWN, G 100%, B 0%
			44--61	R 0%, G 100%, B UP
			62-79	R 0%, G DOWN, B 100%
			80--97	R UP, G 0%, B 100%
	98-115		R 100%, G 0%, B DOWN	
	116--133		R 100%, G UP, B UP	
	134--152		R DOWN, G DOWN, B 100%	
	152--170		R 100%, G 100%, B 100%, W 100%	
171-175	2300K			

CH	Function		DMX Value	Remarks
			176--180	2800K
			181--185	3200K
			186--190	3700K
			191--195	4000K
			196--200	4500K
			201--205	5000K
			206--210	5600K
			211--215	6000K
			216--220	6500K
			221--225	7000K
			226--230	7500K
			231--235	8000K
			236--240	8500K
			241--245	9000K
			246--250	9500K
			251--255	10000K
16	Color macro	0--9	No function	
		10--19	Color macro1	
		20--29	Color macro2	
	(One effect per 10 values)	

CH	Function		DMX Value	Remarks
17			190--199	Color macro19
			200--255	Color macro20
	Static Effect		0--9	No function
			10--12	Single color effect1
			13--15	Single color effect2
		(One effect per 3 values)
			208--210	Single color effect67
			211--213	Color mixing effect1
			214--216	Color mixing effect2
		(One effect per 3 values)
			250--252	Color mixing effect14
			253--255	Color mixing effect15
			Dynamic Effect	
	10--12	Single color dynamic effect1		
	13--15	Single color dynamic effect2		
(One effect per 3 values)		
	155--159	Single color dynamic effect39		

CH	Function		DMX Value	Remarks
			127--129	Single color dynamic effect40
			130--132	Color mixing dynamic effect1
			133--185	Color mixing dynamic effect2
		(One effect per 3 values)
			181-183	Color mixing dynamic effect18
			184--186	Color mixing dynamic effect19
			187--255	Reserved channel
19	Effect Movement(works with channel 18)	0--255	Effect selection	
20	Effect Movement Speed(works with channel 18)	0--9	No function	
		10--132	Forward effect (fast to slow)	
		133--255	Reverse effect (slow to fast)	
21	Dynamic Effect Fade	0--9	No function	
		10--132	Slow fade in / Slow fade out	
		133-255	Fast fade in / Slow fade out	
22	Background Dimmer	0--255	Background 0-100% Dimmer	
23	Background Strobe	0--255	Background Strobe	
24	Background R	0--255	Background Red	

CH	Function		DMX Value	Remarks
25		Background G	0--255	Background Green
26		Background B	0--255	Background Blue
27		Background W	0--255	Background White
28	Auxiliary 0.5W LED	Dimmer	0--255	Dark to Bright
29		Strobe	0--3	Strobe ON
			4--203	Strobe Sync: Slow to Fast (1--25 Hz)
			204--255 5	Random Strobe
30		R Dimmer	0--255	Dark to Bright
31		G Dimmer	0--255	Dark to Bright
32		B Dimmer	0--255	Dark to Bright
33		Color macro	0--255	Color macro
34		Effect	0--4	No function
			5--255	5 DMX values per effect
35		Dynamic Effect speed (works with channel 34)	0-9	No function
			10--132	Forward effect (fast to slow)
			133--255 5	Reverse effect (fast to slow)
36	Effect fade (works with channel 34)	0--255	Fast to Slow	
37	Function Channel		To activate the following functions, keep the DMX value for at least 3s.	
			0-29	Reserved channel
			30-39	Dimming curve Gamma2.0
			40-49	Dimming curve Gamma2.2
			50-59	Dimming curve Gamma2.4

CH	Function	DMX Value	Remarks
		60-69	Dimming curve Gamma2.6
		70-89	Reserved channel
		90-99	Dimmer mode1
		100-109	Dimmer mode2
		110-119	Dimmer mode3
		120-129	Dimmer mode4
		130-139	Dimmer mode5
		140-149	Reserved channel
		150--159	Enable wireless function
		160--169	Disable wireless function
		170-250	Reserved channel
		251-255	Fixture reset

► 42CH Mode

CH	Function	DMX Value	Remarks	
1	Pan	0--255	Pan Movement	
2	Pan fine-adjustment	0--255	Pan fine-adjustment	
3	Tilt	0--255	Tilt Movement	
4	Tilt fine-adjustment	0--255	Tilt fine-adjustment	
5	Pan Tilt Speed	0--255	Fast to Slow	
6	Zoom	0--255	Narrow to Wide	
7	Rotation	0--155	0~60°	
		156--205	Clockwise infinite rotation	
		206--255	Counterclockwise infinite rotation	
8	120W LED	Dimmer	0--255	Dark to Bright
9		Dimmer fine-adjustm	0--255	Dark to Bright

CH	Function		DMX Value	Remarks
		ent		
10	Strobe		0--3	Strobe ON
			4--203	Strobe Sync: Slow to Fast (1--25 Hz)
			204--255	Random Strobe
11	R Dimmer		0--255	Dark to Bright
12	G Dimmer		0--255	Dark to Bright
13	B Dimmer		0--255	Dark to Bright
14	W Dimmer		0--255	Dark to Bright
15	Color Temperature		0-7	No function
			8--25	R 100%, G UP, B 0%
			26--43	R DOWN, G 100%, B 0%
			44--61	R 0%, G 100%, B UP
			62-79	R 0%, G DOWN, B 100%
			80--97	R UP, G 0%, B 100%
			98-115	R 100%, G 0%, B DOWN
			116--133	R 100%, G UP, B UP
			134--152	R DOWN, G DOWN, B 100%
			152--170	R 100%, G 100%, B 100%, W 100%
			171-175	2300K
			176--180	2800K
			181--185	3200K
			186--190	3700K
			191--195	4000K
			196--200	4500K
			201--205	5000K
			206--210	5600K
			211--215	6000K
			216--220	6500K
	221--225	7000K		
	226--230	7500K		

CH	Function		DMX Value	Remarks
			231--235	8000K
			236--240	8500K
			241--245	9000K
			246--250	9500K
			251--255	10000K
16	Color macro	0--9	No function	
		10--19	Color macro1	
		20--29	Color macro2	
	(One effect per 10 values)	
		190--199	Color macro19	
		200--255	Color macro20	
17	Static Effect	0--9	No function	
		10--12	Single color effect1	
		13--15	Single color effect2	
	(One effect per 3 values)	
		208--210	Single color effect67	
		211--213	Color mixing effect1	
		214--216	Color mixing effect2	
	(One effect per 3 values)	
		250--252	Color mixing effect14	
		253--255	Color mixing effect15	
		18	Dynamic Effect	0--9
10--12	Single color dynamic effect1			
13--15	Single color dynamic			

CH	Function		DMX Value	Remarks
				effect2
		(One effect per 3 values)
			155--159	Single color dynamic effect39
			127--129	Single color dynamic effect40
			130--132	Color mixing dynamic effect1
			133--185	Color mixing dynamic effect2
		(One effect per 3 values)
			181-183	Color mixing dynamic effect18
			184--186	Color mixing dynamic effect19
			187--255	Reserved channel
19	Effect Movement(works with channel 18)	0--255	Effect selection	
20	Effect Movement Speed(works with channel 18)	0--9	No function	
		10--132	Forward effect (fast to slow)	
		133--255	Reverse effect (slow to fast)	
21	Dynamic Effect Fade	0--9	No function	
		10--132	Slow fade in / Slow fade out	
		133-255	Fast fade in / Slow fade out	

CH	Function	DMX Value	Remarks
22	Background Dimmer	0--255	Background 0-100% Dimmer
23	Background Strobe	0--255	Background Strobe
24	Background R	0--255	Background Red
25	Background G	0--255	Background Green
26	Background B	0--255	Background Blue
27	Background W	0--255	Background White
28	Dimmer	0--255	Dark to Bright
29	Strobe	0--3	Strobe ON
		4--203	Strobe Sync: Slow to Fast (1--25 Hz)
		204--255	Random Strobe
30	R Dimmer	0--255	Dark to Bright
31	G Dimmer	0--255	Dark to Bright
32	B Dimmer	0--255	Dark to Bright
33	Color macro	0--255	Color macro
34	Effect	0--4	No function
		5--255	5 DMX values per effect
35	Dynamic Effect speed (works with channel 34)	0-9	No function
		10--132	Forward effect (fast to slow)
		133--255	Reverse effect (fast to slow)
36	Effect fade (works with channel 34)	0--255	Fast to Slow
37	Background Dimmer	0--255	Dark to Bright
38	Background Strobe	0--255	Background Strobe

CH	Function		DMX Value	Remarks
39		Background R Dimmer	0--255	Dark to Bright
40		Background G Dimmer	0--255	Dark to Bright
41		Background B Dimmer	0--255	Dark to Bright
42	Function Channel		To activate the following functions, keep the DMX value for at least 3s.	
			0-29	Reserved channel
			30-39	Dimming curve Gamma2.0
			40-49	Dimming curve Gamma2.2
			50-59	Dimming curve Gamma2.4
			60-69	Dimming curve Gamma2.6
			70-89	Reserved channel
			90-99	Dimmer mode1
			100-109	Dimmer mode2
			110-119	Dimmer mode3
			120-129	Dimmer mode4
			130-139	Dimmer mode5
			140-149	Reserved channel
			150--159	Enable wireless function
			160--169	Disable wireless function
			170-250	Reserved channel
251-255	Fixture reset			

► 100CH Mode

CH	Function	DMX Value	Remarks
1	Pan	0--255	Pan Movement
2	Pan fine-adjustment	0--255	Pan fine-adjustment
3	Tilt	0--255	Tilt Movement
4	Tilt fine-adjustment	0--255	Tilt fine-adjustment
5	Pan Tilt Speed	0--255	Fast to Slow
6	Zoom	0--255	Narrow to Wide
7	Rotation	0--155	0~60°
		156--205	Clockwise infinite rotation
		206--255	Counterclockwise infinite rotation
8	Function Channel	To activate the following functions, keep the DMX value for at least 3s.	
		0-29	Reserved channel
		30-39	Dimming curve Gamma2.0
		40-49	Dimming curve Gamma2.2
		50-59	Dimming curve Gamma2.4
		60-69	Dimming curve Gamma2.6
		70-89	Reserved channel
		90-99	Dimmer mode1
		100-109	Dimmer mode2
		110-119	Dimmer mode3
		120-129	Dimmer mode4
		130-139	Dimmer mode5
		140-149	Reserved channel
		150--159	Enable wireless function
		160--169	Disable wireless function
170-250	Reserved channel		

CH	Function		DMX Value	Remarks
			251-255	Fixture reset
9	Auxiliary 0.5W LED	Dimmer	0--255	Dark to Bright
10		Strobe	0--3	Strobe ON
			4--203	Strobe Sync: Slow to Fast (1-25 Hz)
			204--255	Random Strobe
11		R Dimmer	0--255	Dark to Bright
12		G Dimmer	0--255	Dark to Bright
13		B Dimmer	0--255	Dark to Bright
14		Color macro	0--255	Color macro
15		Effect	0--4	No function
			5--255	5 DMX values per effect
16		Dynamic Effect speed (works with channel 15)	0-9	No function
			10--132	Forward effect (fast to slow)
			133--255	Reverse effect (fast to slow)
17		Effect fade (works with channel 15)	0--255	Fast to Slow
18		120W LED	Dimmer	0--255
19	Dimmer fine-adjustment		0--255	Linear dimming 0%~100%
20	Strobe		0--3	Strobe ON
			4--203	Strobe Sync: Slow to Fast (1-25 Hz)
			204--255	Random Strobe
21	R Dimmer		0--255	Dark to Bright
22	G Dimmer		0--255	Dark to Bright
23	B Dimmer		0--255	Dark to Bright
24	W Dimmer		0--255	Dark to Bright
25	R1 LED Dimmer		0--255	R1 LED Dimmer

CH	Function	DMX Value	Remarks
26	G1 LED Dimmer	0--255	G1 LED Dimmer
27	B1 LED Dimmer	0--255	B1 LED Dimmer
28	W1 LED Dimmer	0--255	W1 LED Dimmer
29	R2 LED Dimmer	0--255	R2 LED Dimmer
30	G2 LED Dimmer	0--255	G2 LED Dimmer
31	B2 LED Dimmer	0--255	B2 LED Dimmer
32	W2 LED Dimmer	0--255	W2 LED Dimmer
...
...			
97	R19 LED Dimmer	0--255	R19 LED Dimmer
98	G19 LED Dimmer	0--255	G19 LED Dimmer
99	B19 LED Dimmer	0--255	B19 LED Dimmer
100	W19 LED Dimmer	0--255	W19 LED Dimmer

► 13+472CH Mode(DMX512+ArtNet Control)

CH	Function	DMX Value	Remarks
DMX512 Control			
1	Pan	0--255	Pan Movement
2	Pan fine-adjustment	0--255	Pan fine-adjustment
3	Tilt	0--255	Tilt Movement
4	Tilt fine-adjustment	0--255	Tilt fine-adjustment

CH	Function	DMX Value	Remarks	
5	Pan Tilt Speed	0--255	Fast to Slow	
6	Zoom	0--255	Narrow to Wide	
7	Rotation	0--155	0~60°	
		156--205	Clockwise infinite rotation	
		206--255	Counterclockwise infinite rotation	
8	Function Channel	To activate the following functions, keep the DMX value for at least 3s.		
		0-29	Reserved channel	
		30-39	Dimming curve Gamma2.0	
		40-49	Dimming curve Gamma2.2	
		50-59	Dimming curve Gamma2.4	
		60-69	Dimming curve Gamma2.6	
		70-89	Reserved channel	
		90-99	Dimmer mode1	
		100-109	Dimmer mode2	
		110-119	Dimmer mode3	
		120-129	Dimmer mode4	
		130-139	Dimmer mode5	
		140-149	Reserved channel	
		150--159	Enable wireless function	
		160--169	Disable wireless function	
		170-250	Reserved channel	
251-255	Fixture reset			
9	120W LED	Dimmer	0--255	Dark to Bright
10		Dimmer fine-adjustment	0--255	Dark to Bright
11		Strobe	0--3	Strobe ON
	4--203		Strobe Sync: Slow to Fast	

CH	Function		DMX Value	Remarks	
				(1–25 Hz)	
			204--255	Random Strobe	
12	Auxiliary 0.5W LED	Dimmer	0--255	Dark to Bright	
13		Strobe	0--3	Strobe ON	
			4--203	Strobe Sync: Slow to Fast (1–25 Hz)	
			204--255	Random Strobe	
ArtNet Control					
1	120W LED	R1 LED Dimmer	0--255	R1 LED Dimmer	
2		G1 LED Dimmer	0--255	G1 LED Dimmer	
3		B1 LED Dimmer	0--255	B1 LED Dimmer	
4		W1 LED Dimmer	0--255	W1 LED Dimmer	
5		R2 LED Dimmer	0--255	R2 LED Dimmer	
6		G2 LED Dimmer	0--255	G2 LED Dimmer	
7		B2 LED Dimmer	0--255	B2 LED Dimmer	
8		W2 LED Dimmer	0--255	W2 LED Dimmer	
...		
...					
73		R19 LED Dimmer	0--255	R19 LED Dimmer	
74		G19 LED Dimmer	0--255	G19 LED Dimmer	
75		B19 LED Dimmer	0--255	B19 LED Dimmer	
76		W19 LED Dimmer	0--255	W19 LED Dimmer	
77		Auxilia	R1 LED	0--255	R1 LED Dimmer

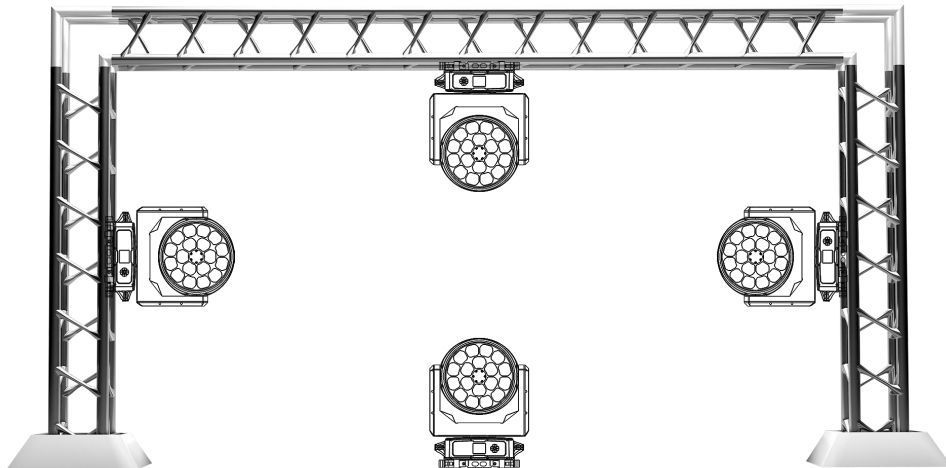
CH	Function		DMX Value	Remarks
	ry 0.5W LED	Dimmer		
78		G1 LED Dimmer	0--255	G1 LED Dimmer
79		B1 LED Dimmer	0--255	B1 LED Dimmer
80		R2 LED Dimmer	0--255	R2 LED Dimmer
81		G2 LED Dimmer	0--255	G2 LED Dimmer
82		B2 LED Dimmer	0--255	B2 LED Dimmer
...	
470		R132 LED Dimmer	0--255	R132 LED Dimmer
471		G132 LED Dimmer	0--255	G132 LED Dimmer
472		B132 LED Dimmer	0--255	B132 LED Dimmer

8. Mounting

When installing the unit, the trussing or area of installation must be able to hold 10 times the weight without any deformation. When installing the unit must be secured with a secondary safety attachment, e.g. an appropriate safety cable. Never stand directly under the facility while mounting, uninstalling or repairing facilities.

High-altitude mounting requires for extensive experience, including working load limits calculating , installation material, and periodic safety check of installation materials and facilities. If you're lack of mentioned qualifications, do

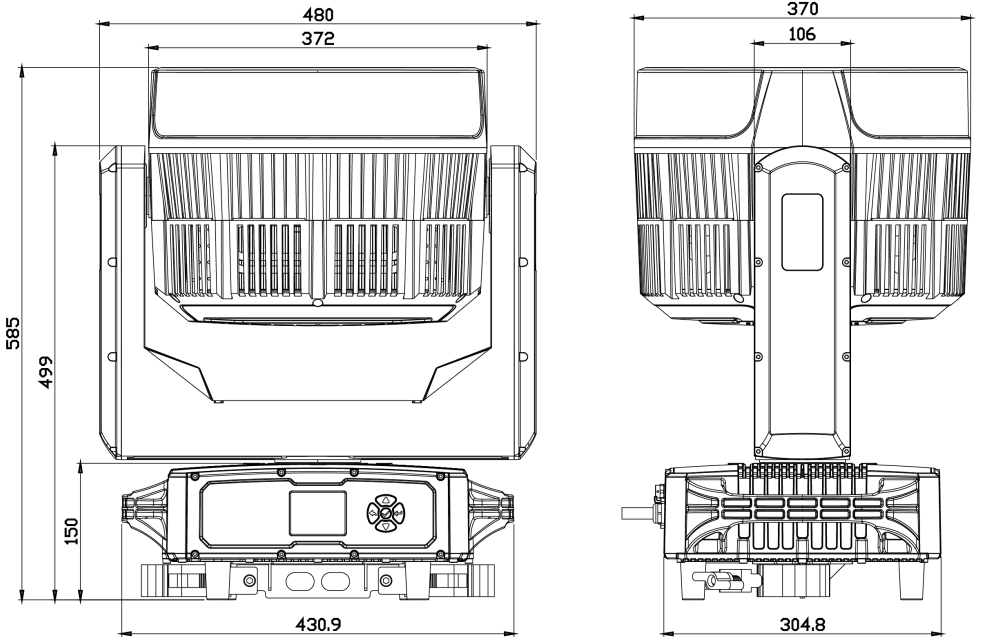
not attempt the installation yourself. These installation should be checked by a skilled person annually.



19120BW works properly in above different mounting, hanging upside-down from a ceiling, sideways on trussing, or set on smooth horizontal surface. Be sure this facility is at least 12m (40ft) away from flammable materials (decoration etc.). Always use and install the safety cable to prevent accidental damage or injury from the facility failure. Never use handles for secondary attachment.

NOTICE: The suitable environment temperature of the facility is from -25° C to 45° C. Do not place this facility in an environment where the temperatures are under or above the temperatures stated. This will help the fixture run at its best and extend the lifetime.

9. Product Size



10. Attention

1. When the facility is powered on, please avoid looking directly at the facility.
2. When assembling/ replacing LEDs, be sure to cut off the main power of facilities before opening the cover upon the LED board.

11. Trouble Shooting

Following are a few common problems that may occur during operation. Here are some suggestions for easy troubleshooting:

A. The unit does not work, no light and the fan does not work

1. Check the status of power connection and fuse.
2. Check the voltage.
3. Check the power indicator.

B. No response to DMX controller

1. If the display screen flashes, check the DMX signal connector and signal line whether the connection is correct.
2. If the display screen does not flash, but no response to channel control, check whether the address code or channel setting is correct.
3. If the DMX signal transmission is intermittent, check if the XLR and DMX cables are in good condition.
4. Try using another controller.
5. Check if the DMX cables is too close to the high-voltage wire, which may damage or interfere with the signal circuit.
6. The facility has not completed the self-check.

C. One of the channels is not working well

1. The stepper motor might be damaged or the cable connected to the PCB is broken.
2. The motor's drive IC on the PCB might be out of condition.

12. Fixture Cleaning

The lens and diffuser should be clean frequently to get better light effect. Wipe frequency according to the environment. Humidity, excessive smoke, and dirty environment will make lens dusty.

- Use soft cloth and special glass cleaner.
- Wipe lens surface at least every 30 days.
- Use vacuum cleaners or air guns to clean the interior structure of the facility, at least twice a year.



Warning:

To avoid the danger of lighting strikes and fire, please do not place the facility in a humid environment. Do not disassemble it without permission, otherwise, the manufacturer will not provide warranty. If the facility fails, please contact the manufacturer first.

Product Warranty Card

Product: IP66 19x120W Big-Eye with Additive Color Synthesis Moving WASH

Model NO.: 19120BW

Manufacture Date:

User:

Purchase Date:

Manufacturer:

Sales Store:

Address:

ATTN.:

ATTN.:

Phone:

Phone:

Note: The above blank must be filled in and sealed by the end user or sales point, otherwise no warranty will be provided. (Below please check the warranty period and terms)

Warranty Period: This facility is warranted for 2 years from the date of purchase.

Warranty Terms:

1. Except for man-made damage and natural disasters
2. If the facility fails to function properly during the warranty period, please contact our after service department or our local distributor directly.
 - 1) Fail to present a valid warranty card.
 - 2) Omissions, alterations, and trade sales names on the warranty card.
 - 3) Failures and damage caused by force majeure.
 - 4) Failures and damage caused during transportation and handling.
 - 5) Failures and damage caused by failure to follow the instructions for use.
 - 6) Failures and damage caused by disassembly, repair, and modification of the product without the manufacturer's authorization or by non-professionals.
 - 7) Failures caused by the use of accessories not approved by the factory or not matched by the factory.

▲ Thank you for reading this manual. Please keep it for future reference.