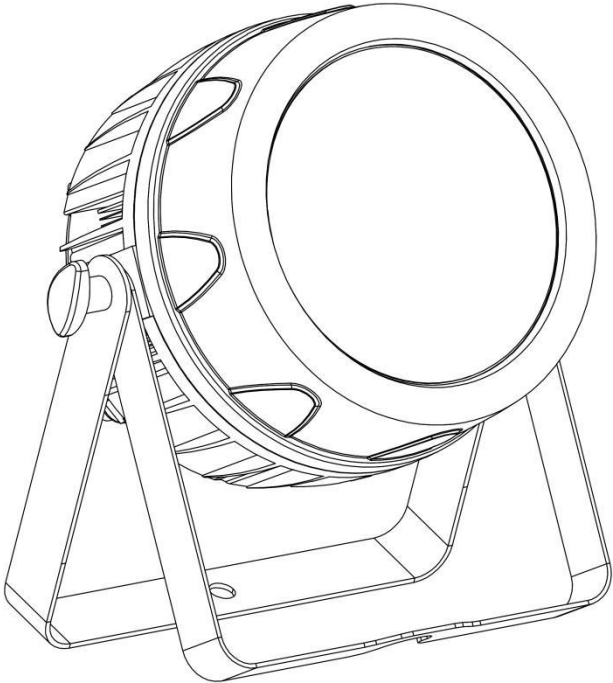

IP65 300W WW+R7+G7+B7 Par Light



User manual

Please read the instructions carefully before use

TABLE OF CONTENTS

1. Safety Instructions	2-4
2. Technical Specifications	5-5
3. How To Control The Unit	5-8
4. DMX Channels	8-10
5. shape	10
6. Trouble shooting	14
7. Fixture Cleaning	15

statement

The product has well capability and intact packing when leave factory. All of the user should comply with warning item and manual, any misuse cause of the damages are not included in our guarantee, and also can not be responsible for any malfunction & problem owing to ignore the manual.

1. Safety Instructions

Please keep this User Guide for future consultation. If you sell the unit to another user, be sure that they also receive this instruction booklet.

☒ Unpack and check carefully there is no transportation damage before using the unit.

-
- ☒ Before operating, ensure that the voltage and frequency of power supply match the power requirements of the unit.
 - ☒ It's important to ground the yellow/green conductor to earth in order to avoid electric shock.
 - ☒ The unit is for indoor use only. Use only in a dry location.
 - ☒ The unit must be installed in a location with adequate ventilation, at least 50cm from adjacent surfaces. Be sure that no ventilation slots are blocked.
 - ☒ Disconnect main power before replacement or servicing.
- ☒ Make sure there are no flammable materials close to the unit while operating as it is fire hazard.
- ☒ Use safety cable when fixes this unit. DO NOT handle the unit by taking its head only, but always by taking its base.
- ☒ Maximum ambient temperature is T_a : 40°C. DO NOT operate it where the temperature is higher than this Unit surface temperature may reach up to 85°C. DO NOT touch the housing bare-hand during its operation. Turn off the power and allow about 15 minutes for the unit to cool down before replacing or serving.
- ☒ In the event of serious operating problem, stop using the unit immediately. Never try to repair the unit by yourself. Repairs carried out by unskilled people can lead to damage or malfunction. Please contact the nearest authorized technical assistance center. Always use the same type spare parts.

⚠ DO NOT touch any wire during operation as high voltage might be causing electric shock.

Warning:

- ⚠ To prevent or reduce the risk of electrical shock or fire, do not expose the unit to rain or moisture.
- ⚠ DO NOT open the unit within five minutes after switching off.
- ⚠ The housing, the lenses, or the ultraviolet filter must be replaced if they are visibly damaged.

Caution:

There are no user serviceable parts inside the unit. DO NOT open the housing or attempt any repairs yourself. In the unlikely event your unit may require service, please contact your nearest dealer.

Installation:

The unit should be mounted via its screw holes on the bracket. Always ensure that the unit is firmly fixed to avoid vibration and slipping while operating. And make sure that the structure to which you are attaching the unit is secure and is able to support a weight of 10 times of the unit's weight. Also always use a safety cable that can hold 12 times of the weight of the unit when installing the fixture.

The equipment must be fixed by professionals. And it must be fixed at a place where is out of the touch of people.

2. Technical Specifications

Light Sources: 42 LEDs R7+G7+B7+21WW Par Light

Beam Angle: 110°

Power Consumption: 250W

Power Voltage: AC 100-240V, 50/60Hz

Dimension: 285mm×214mm×287mm

Net Weight: 5.5 Kg

Control

DMX Channel: 9 /14CH

Control Modes: DMX512/Master-Slave/Auto Run/Music/RDM

Construction

Display: TFT1.54 Display

Data In/Out socket: Hand in Hand 3-pin XLR sockets

Power Socket: Power con in/out

Protection Rating: IP65

Features

Outstanding color macro effect

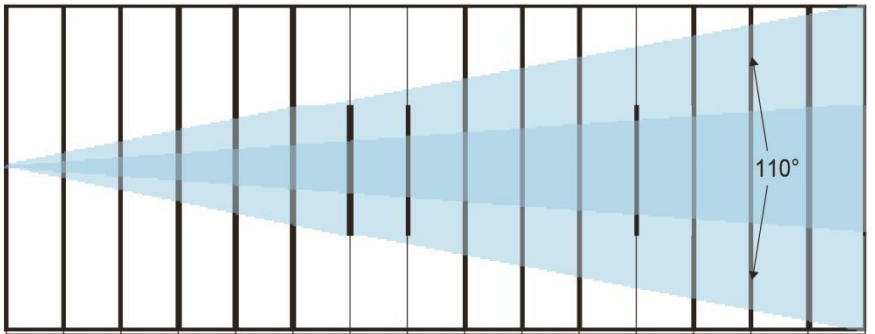
Dimmer: 0~100% smooth dimming

High CRI can meet with studio requirement

3.LUX Date

R7+G7+B7+21WW

R lux	901	226	78	30.6
G lux	1410	352	122	47.2
B lux	294	73	25.7	9.7
WW lux	3030	731	258	101



Distance (m)

1

3

5

8

4. How To Control The Unit

The DMX512 is widely used in intelligent lighting control, with a DMX 512 controller. connect several lights together, dmx in and dmx out, 3 pin XLR connectors:

Pin 1: GND, Pin 2: Negative signal (-), Pin 3: Positive signal (+)

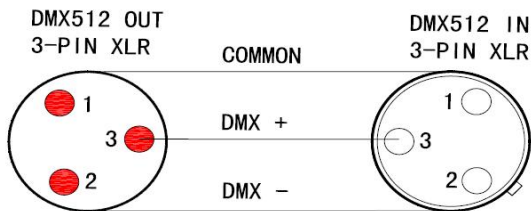
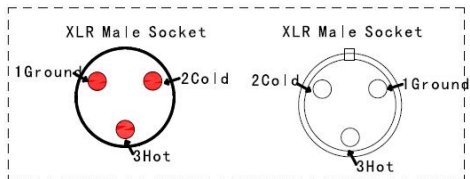


Figure2



XLR Pin Configuration	
pin1	=Ground
pin2	=Data Compliment (negative)
pin3	=Data true (positive)

Display:



MENU To select the programming functions
DOWN To go backward in the selected functions

UP To go forward in the selected functions
ENTER To confirm the selected functions

Set DMX Address Code

- 1 Press "Menu" to "Set DMX Address", and press "ENTER" keys to enter into
- 2 Show "Set DMX Address DMX Address:001", Press the "UP and DOWN" keys to amended
- 3 Press "ENTER" keys to save and Exit, Press the "MENU" Keys does not save and Exit

1	Address	Address 001~512		Address setting 001-512	
2	Channel	1.9CH			
		2.14CH			
3	Mode	1.DMX512			
		2.Auto	Master		
		3.Sound			
		4.Manual	Alone		1.Red:0-255
					2.Green:0-255
					3.Blue:0-255
4.White:0-255					
5.Strobe:0-255					
4	Sound	0-100		Sound sensitivity	
5	Language	English		Language selection	
		Chinese			
6	Display	1.Yes		Backward selection	
		2.No		Forward selection	
7	No signal	1.Black out		2.Hold	

8	Fan set	1.Auto, 2.High, 3.Low	
9	Inform	1.CH Value	Show the Channel information
		2.Temp /°C	Show the temperature information
		3.Soft V***	Show the version information
10	Default	Yes	Restore factory setting
		No	
12	Adjust	Pass word ****	Changing the value of R/G/B/W can adjust the white balance
		1.Red	
		2.Green	
		3.Blue	
		4.White	

5.DMX Channels

DMX channel's functions and values (9 DMX channels)

9 channel mode:

Channel	Function	Description	Value
Ch 1	Dimmer	From dark to bright	0----255
Ch 2	Strobe	Turn on the light	0----3
		Synchro strobe speed slow to fast (1HZ-25HZ)	4----203
		Random strobe	204----255
Ch 3	R	From dark to bright	0----255
Ch 4	G	From dark to bright	0----255
Ch 5	B	From dark to bright	0----255
Ch 6	W	From dark to bright	0----255
Ch 7	Static color	No function	0----4
		Color temperature changes from warm to cold	5----255
Ch 8	Macro color	No function	0----9
		Macro color 1	10----14
		Macro color 2	15----19
	(5numbers 1 macro color)
		Macro color 14	75----79

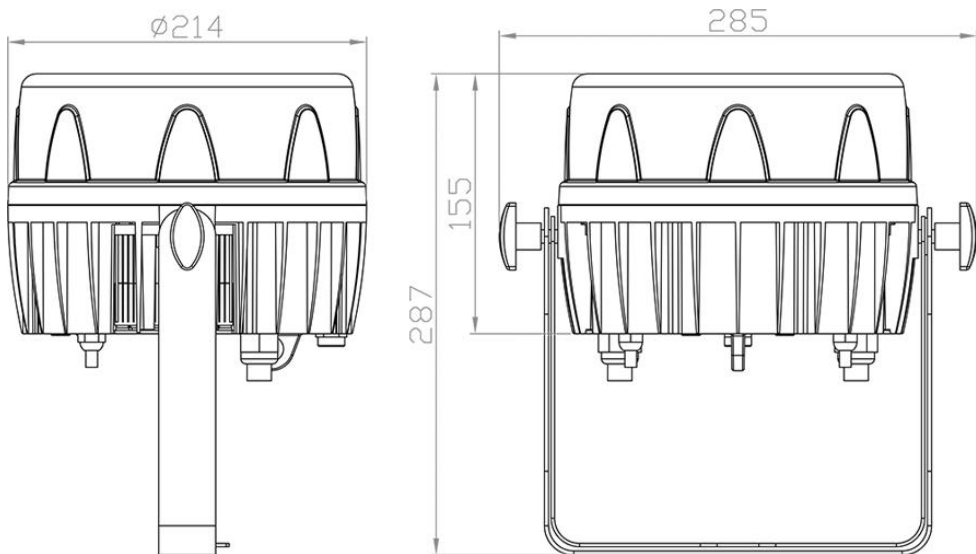
		Macro color 15	80----255
Ch 9	Dimming mode	Mode 1	0----49
		Mode 2	50----99
		Mode 3	100----149
		Mode 4	150----255

14 Channel Mode

Channel	Function	Description	Value
Ch 1	R	From dark to bright	0----255
Ch 2	Red fine adjustment	Red fine adjustment	0----255
Ch 3	G	From dark to bright	0----255
Ch 4	Green fine adjustment	Green fine adjustment	0----255
Ch 5	B	From dark to bright	0----255
Ch 6	Blue fine adjustment	Blue fine adjustment	0----255
Ch 7	W	From dark to bright	0----255
Ch 8	White fine adjustment	White fine adjustment	0----255
Ch 9	Dimmer	From dark to bright	0----255

Ch 10	Dimming fine adjustment	Dimming adjustment control	0---255
Ch 11	Strobe	No function	0---3
		strobe speed slow to fast (1HZ-25HZ)	4---203
		Random strobe	204---255
Ch 12	Static color	No function	0---4
		Color temperature changes from warm to cold	5---255
Ch 13	Macro color	No function	0---9
		Macro color 1	10---14
		Macro color 2	15---19
	(5numbers 1 macro color)
		Macro color 14	75---79
		Macro color 15	80---255
Ch 14	Dimming mode	Mode 1	0---49
		Mode 2	50---99
		Mode 3	100---149
		Mode 4	150---255

6.Shape



7. Trouble shooting

Following are a few common problems that may occur during operation.

Here are some suggestions for easy troubleshooting:

A. The unit does not work, no light and the fan does not work

1. Check the connection of power and main fuse.
2. Measure the mains voltage on the main connector.
3. Check the power on LED.

B. Not responding to DMX controller

1. DMX LED should be on. If not, check DMX connectors, cables to see if link properly.
2. If the DMX LED is on and no response to the channel, check the address settings and DMX polarity.
3. If you have intermittent DMX signal problems, check the pins on connectors or on PCB of the unit or the previous one.
4. Try to use another DMX controller.

5. Check if the DMX cables run near or run alongside to high voltage cables that may cause damage or interference to DMX interface circuit.

C. One of the channels is not working well

1. The stepper motor might be damaged or the cable connected to the PCB is broken.

2. The motor's drive IC on the PCB might be out of condition.

8. Fixture Cleaning

The cleaning of internal and external optical lenses and/or mirrors must be carried out periodically to optimize light output. Cleaning frequency depends on the environment in which the fixture operates: damp, smoky or particularly dirty surrounding can cause greater accumulation of dirt on the unit's optics.

- **Clean with soft cloth using normal glass cleaning fluid.**
- **Always dry the parts carefully.**
- **Clean the external optics at least every 20 days. Clean the internal optics at least every 30/60 days.**