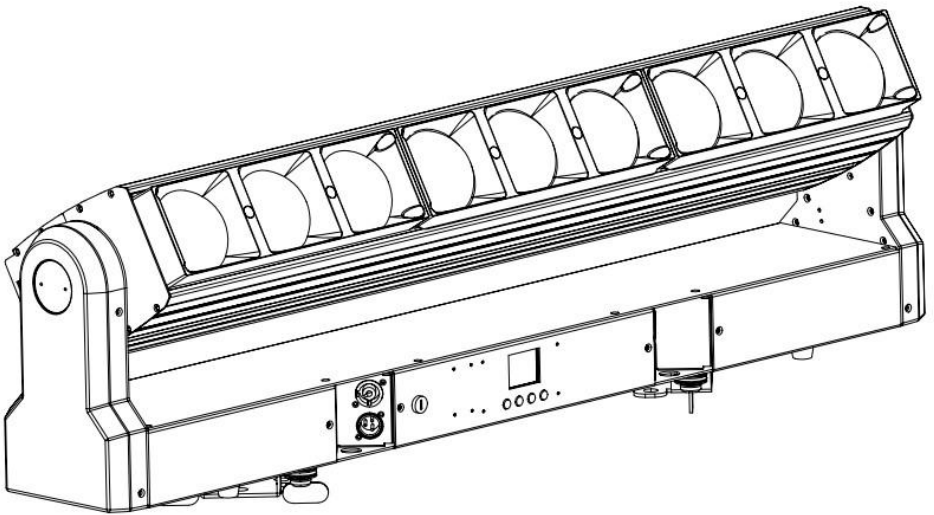


F800

9*60w Pixels Zoom bar moving head



User manual

Please read the instructions carefully before use

TABLE OF CONTENTS

1. Safety Instructions	1 - 4
2. Technical Specifications.....	5-6
3. How To Control The Unit.....	6-8
4. DMX Channel List.....	9-25
5. LUX Date.....	26
6. Shape.....	27
7. Trouble shooting.....	28

statement

The product has well capability and intact packing when leave factory. All of the user should comply with warning item and manual, any misuse cause of the damages are not included in our guarantee, and also can not be responsible for any malfunction & problem owing to ignore the manual.

1. Safety Instructions

Please keep this User Guide for future consultation. If you sell the unit to another user, be sure that they also receive this instruction booklet.

Unpack and check carefully there is no transportation damage before using the unit.

Before operating, ensure that the voltage and frequency of power supply match the power requirements of the unit.

It's important to ground the yellow/green conductor to earth in order to avoid electric shock.

The unit is for indoor use only. Use only in a dry location.

The unit must be installed in a location with adequate ventilation, at least 50cm from adjacent surfaces. Be sure that no ventilation slots are blocked.

Disconnect main power before replacement or servicing.

Make sure there are no flammable materials close to the unit while operating as it is fire hazard.

Use safety cable when fixes this unit. DO NOT handle the unit by taking its head only, but always by taking its base.

Maximum ambient temperature is T_a : 40°C. DO NOT operate it where the temperature is higher than this Unit surface temperature may reach up to 85°C. DO NOT touch the housing bare-hand during its operation. Turn off the power and allow about 15 minutes for the unit to cool down before replacing or serving.

the event of serious operating problem, stop using the unit immediately. Never try to repair the unit by yourself. Repairs carried out by unskilled people can lead to damage or malfunction. Please contact the nearest authorized technical assistance center. Always use the same type spare parts.

⚠ DO NOT touch any wire during operation as high voltage might be causing electric shock.

Warning:

⚠ To prevent or reduce the risk of electrical shock or fire, do not expose the unit to rain or moisture.

⚠ DO NOT open the unit within five minutes after switching off.

⚠ The housing, the lenses, or the ultraviolet filter must be replaced if they are visibly damaged.

Caution:

There are no user serviceable parts inside the unit. DO NOT open the housing or attempt any repairs yourself. In the unlikely event your unit may require service, please contact your nearest dealer.

Installation:

The unit should be mounted via its screw holes on the bracket. Always ensure that the unit is firmly fixed to avoid vibration and slipping while operating. And make sure that the structure to which you are attaching the unit is secure and is able to support a weight of 10 times of the unit's weight. Also always use a safety cable that can hold 12 times of the weight of the unit when installing the fixture.

The equipment must be fixed by professionals. And it must be fixed at a place where is out of the touch of people.

2. Technical Specifications

Light Sources: 9*60W 4IN1 RGBW LED

Average lifespan> 50000 hours

Beam Angle:3.5°- 40°

Glass light guide + PMMA high-quality optical lens

Power Consumption: 650w

Power factor PF≥0.98

Power Voltage: AC 100-240V, 50/60Hz

Dimension:996×150×291mm

Net Weight:19 kgs

Control

DMX Channel:20/25/61 Channels

Control Modes: DMX512/master-Slave/Auto Run/Music/RDM

Pan/Tilt

Tilt 270°, accuracy 0.86°/step, fine-tuning accuracy: 0.0034°;

Using magnetic coded reset system

Construction

Display:1.8 inch LCD color display with 180° reversible ,

Data In/Out socket: 3-pin XLR sockets

Protection Rating: IP20

Electronic control technology:

Menu or console control lamp reset;

0-100% dimming;

Constant current drive mode;

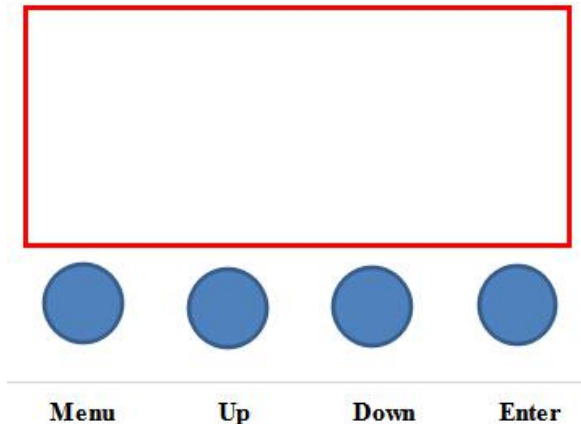
Temperature sensor detection, intelligent adjustment of light source power;

Lamp information query;
Intelligent fan speed control

Features

Full optical domain dimming, 65536-level dimming accuracy;
Fast strobe 1~25Hz;
LED Single Control;
Integrate dyeing and light beam, the light beam can swing left and right;
Preset 46 kinds of color macro function;
Preset 38 kinds of pattern effect macro function

3. How To Control The Unit



Display:

MENU	To select the programming functions
DOWN	To go backward in the selected functions
UP	To go forward in the selected functions
ENTER	To confirm the selected functions

Set DMX Address Code

- 1 Press **"Menu"** to "Set DMX Address",and press**"ENTER"** keys to enter into
- 2 Show "Set DMX Address DMX Address:**001**",Press the **"UP and DOWN"** keys to amended
- 3 Press **"ENTER"**keys to save and Exit,Press the**"MENU"**Keys does not save and Exit

Menu	1.Mic Sense	001 - 100,Sound sensitivity adjustment		
	2.Language	English	Chinese	
	3.No Signal	1.Black Out 2.Hold		
	4.Fan Set	1.Auto 2.Low 3.High	Fan Set	
	5.Reset	Yes	No	
	6.Default	Yes	No	
	Adjust	Pass Word:up+down+up+down		
		Tilt - 0 - 255	Change the value of Tilt/Focus/Offest to correct the angle; change the value of R/G/B/W to adjust the white balance	
		Focus - 0 - 255		
		Offest -0 - 255		
		Red-0 - 255		
		Green-0 - 255		
		Blue-0 - 255		
White-0 - 255				
Address	Setting from 001 - 512			
Rever	Tilt	1.Yes		
		2.No		
		1.Yes		

		Display	2.No	
Channel		20 channels	20 channels	
		25 channels	25 channels	
		61 channels	61 channels	
Inform		1.CH Value	Each channel value	
		2.Temp _____ °C	Temperature of led board	
		3.Soft V1.2	Show the version number	
Mode	DMX 512			
	AUTO			
	SOUND			
	Master	Tilt:0--255	Set control mode	
		Focus:0--255		
		Offest:0--255		
		Red: 0--255		
	Alone	Greed: 0--255		
		Blue: 0--255		
		White: 0--255		
Strobe: 0-255				

4.DMX Channel List

Model 1 - CH20

Channel	Display	Function	Value
CH-1	Red	Red dimming	0 --- 255
CH-2	Red adjustment	Red adjustment	0 --- 255
CH-3	Green	Green dimming	0 --- 255
CH-4	Green adjustment	Green adjustment	0 --- 255
CH-5	Blue	Blue dimming	0 --- 255
CH-6	Blue adjustment	Blue dimming	0 --- 255
CH-7	White	White dimming	0 --- 255
CH-8	White adjustment	White adjustment	0 --- 255
CH-9	Color temperature	No	0--15
		R100%,G UP,B0%	16--35
		R DOWM,G100%,B0%	36--55
		R0%,G100%,B UP	56--75

CH-9	Color temperature	R0%,G DOWM,B100%	76--95
		R UP,G0%,B100%	96--115
		R100%,G0%,B DOWM	116--135
		R100%,G UP,B UP	136--155
		R down,G down, B 100%	156--175
		R100%G100%B100%W100%	176--195
		2800K	196--200
		3200K	201--205
		3500K	206--210
		4000K	211--215
		4500K	216--220
		5000K	221--225
		5500K	226--230
		6000K	231--235

CH-9	Color temperature	6500K	236--240
		7000K	241--245
		7500K	246--250
		8000K	251--255
CH-10	Macro color	No	0--9
		Macro color 1	10--23
		Macro color 2	24--37
	(10 number one)
		Macro color 24	234--247
		Macro color 25	248--255
CH-11	Total dimming	Linear dimming dark to bright	0 --- 255
CH-12	Dimming fine-tuning	Dimming fine-tuning control	0 --- 255
CH-13	Strobe	Turn on the light	0---3
		Synchro strobe speed	

		slow to fast (1HZ-25HZ)	4---203
		Random strobe	204--255
CH-14	Tilt	Tilt control	0 --- 255
CH-15	Tilt adjustment	Tilt adjustment control	0 --- 255
CH-16	Tilt speed	Fast to slow	0 --- 255
CH-17	Focus	Focus	0--255
CH-18	Offset	Midpoint	0--9
		Linear offset	10--199
		Offset back and forth (from slow to fast)	200--255
CH-19	Dimming Mode	Mode -1	0 --- 49
		Mode -2	50 --- 99
		Mode -3	100---149
		Mode -4	150---255
		NO	0-250

CH-20	Reset	Reset within 5s	251---255
-------	-------	-----------------	-----------

Model 2 - CH25

Channel	Display	Function	Value
CH-1	Tilt	Tilt control	0 --- 255
CH-2	Tilt adjustment	Tilt fine-tuning control	0--255
CH-3	Til speed	Fast to slow	0--255
CH-4	Focus	Focus	0 --- 255
CH-5	Offset	Midpoint	0--9
		Linear offset	10--199
		Offset back and forth (from slow to fast)	200--255
CH-6	Total dimming	Linear dimming dark to bright	0 --- 255
		Turn on the light	0---3

CH-7	Strobe	Synchro strobe speed slow to fast (1HZ-25HZ)	4---203
		Random strobe	204--255
CH-8	Red - dimming	From dark to bright	0 --- 255
CH-9	Green - dimming		
CH-10	Blue - dimming		
CH-11	White - dimming		
CH-12	Color temperature	No	0----15
		R 100%,G up,B0%	16----35
		R down,G 100%,B0%	36----55
		R 0%,G 100%,B up	56----75
		R 0%,G100%,B up	76----95
		R up,G0%,B100%	96----115
		R 100%,G0%,B down	116----135

CH-12	Color temperature	R 100%,G up,B up	136----155
		R100%,G down,B100%	156----175
		R100%,G 100%,B100%,W100%	176----195
		2800K	196----200
		3200K	201----205
		3500K	206----210
		4000K	211----215
		4500K	216----220
		5000K	221----225
		5500K	226----230
		6000K	231----235
CH-12	Color temperature	6500K	236----240
		7000K	241----245
		7500K	246----250

		8000K	251----255
CH-13	Macro color	No	0--9
		Macro color 1	10--23
		Macro color 2	24--37
	(10 number one)
		Macro color 24	234--247
		Macro color 25	248--255
CH-14	Dynamic pattern	No effect	0--9
		Monochrome dynamic pattern 1	10--14
		Monochrome dynamic pattern 2	15--19
	(5 number one)
CH-14	Dynamic pattern	Monochrome dynamic pattern 28	145--149

		Mixed color dynamic pattern 1	150--154
		Mixed color dynamic pattern 2	155--159
	(5 number one)
		Mixed color dynamic pattern 9	190--194
		Mixed color dynamic pattern 10	195--255
CH-15	Pattern translation (with 14 ch)	Select dynamic pattern scene	0 --- 255
CH-16	Dynamic pattern speed (with 14 ch)	No effect	0--9
CH-16	Dynamic pattern speed (with 14 ch)	Forward, from fast to slow	10--132
CH-16	Dynamic pattern speed (with 14 ch)	Go backward, from slow to fast	133--255
CH-17	Pattern effect fade	Pattern effect fade	0 --- 255

CH-18	Background dimming	Background dimming	0-100%	0--255
CH-19	Background strobe	Linear dimming dark to bright		0--255
CH-20	Background red	Linear dimming dark to bright		0--255
CH-21	Background green	Linear dimming dark to bright		0--255
CH-22	Background blue	Linear dimming dark to bright		0--255
CH-23	Background white	Linear dimming dark to bright		0--255
CH-24	Dimming Mode	Mode -1		0 --- 49
		Mode -2		50 --- 99
CH-24	Dimming Mode	Mode -3		100---149
		Mode -4		150---255

CH-25	Reset	NO	0-250
		Reset within 5s	251---255

Model 2 - CH61

Channel	Display	Function	Value
CH-1	Tilt	Tilt control	0 --- 255
CH-2	Tilt adjustment	Tilt fine-tuning control	0--255
CH-3	Til speed	Fast to slow	0--255
CH-4	Focus	Focus	0 --- 255
CH-5	Offset	Midpoint	0--9
		Linear offset	10--199
		Offset back and forth (from slow to fast)	200--255
CH-6	Total dimming	Linear dimming dark to bright	0 --- 255
		Turn on the light	0---3

CH-7	Strobe	Synchro strobe speed slow to fast (1HZ-25HZ)	4---203
		Random strobe	204--255
CH-8	Red - dimming	From dark to bright	0 --- 255
CH-9	Green - dimming		
CH-10	Blue - dimming		
CH-11	White - dimming		
CH-12	Color temperature	No	0----15
		R 100%,G up,B0%	16----35
		R down,G 100%,B0%	36----55
		R 0%,G 100%,B up	56----75
		R 0%,G100%,B up	76----95
		R up,G0%,B100%	96----115
		R 100%,G0%,B down	116----135

CH-12	Color temperature	R 100%,G up,B up	136----155
		R100%,G down,B100%	156----175
		R100%,G 100%,B100%,W100%	176----195
		2800K	196----200
		3200K	201----205
		3500K	206----210
		4000K	211----215
		4500K	216----220
		5000K	221----225
		5500K	226----230
		6000K	231----235
CH-12	Color temperature	6500K	236----240
		7000K	241----245
		7500K	246----250

		8000K	251----255
CH-13	Macro color	No	0--9
		Macro color 1	10--23
		Macro color 2	24--37
	(10 number one)
		Macro color 24	234--247
		Macro color 25	248--255
CH-14	Dynamic pattern	No effect	0--9
		Monochrome dynamic pattern 1	10--14
		Monochrome dynamic pattern 2	15--19
	(5 number one)
CH-14	Dynamic pattern	Monochrome dynamic pattern 28	145--149

		Mixed color dynamic pattern 1	150--154
		Mixed color dynamic pattern 2	155--159
	(5 number one)
		Mixed color dynamic pattern 9	190--194
		Mixed color dynamic pattern 10	195--255
CH-15	Pattern translation (with 14 ch)	Select dynamic pattern scene	0 --- 255
CH-16	Dynamic pattern speed (with 14 ch)	No effect	0--9
CH-16	Dynamic pattern speed (with 14 ch)	Forward, from fast to slow	10--132
CH-16	Dynamic pattern speed (with 14 ch)	Go backward, from slow to fast	133--255
CH-17	Pattern effect fade	Pattern effect fade	0 --- 255

CH-18	Background dimming	Background dimming 0-100%	0--255
CH-19	Background strobe	Linear dimming dark to bright	0--255
CH-20	Background red	Linear dimming dark to bright	0--255
CH-21	Background green	Linear dimming dark to bright	0--255
CH-22	Background blue	Linear dimming dark to bright	0--255
CH-23	Background white	Linear dimming dark to bright	0--255
CH-24	Dimming Mode	Mode -1	0 --- 49
		Mode -2	50 --- 99
CH-24	Dimming Mode	Mode -3	100---149
		Mode -4	150---255

CH-25	Reset	NO	0-250
		Reset within 5s	251---255
CH-26	LED-1-Red	LED-1-Red-dimming	0--255
CH-27	LED-1-Green	LED-1-Green-dimming	0--255
CH-28	LED-1-Blue	LED-1-Blue-dimming	0--255
CH-29	LED-1-White	LED-1-Blue-dimming	0--255
CH-30	LED-2-Red	0--255
.....	0--255
CH-58	LED-9-Red	LED-9-Red-dimming	0--255
CH-59	LED-9-Green	LED-9-Green-dimming	0--255
CH-60	LED-9-Blue	LED-9-Blue-dimming	0--255
CH-61	LED-9-White	LED-9-Blue-dimming	0--255

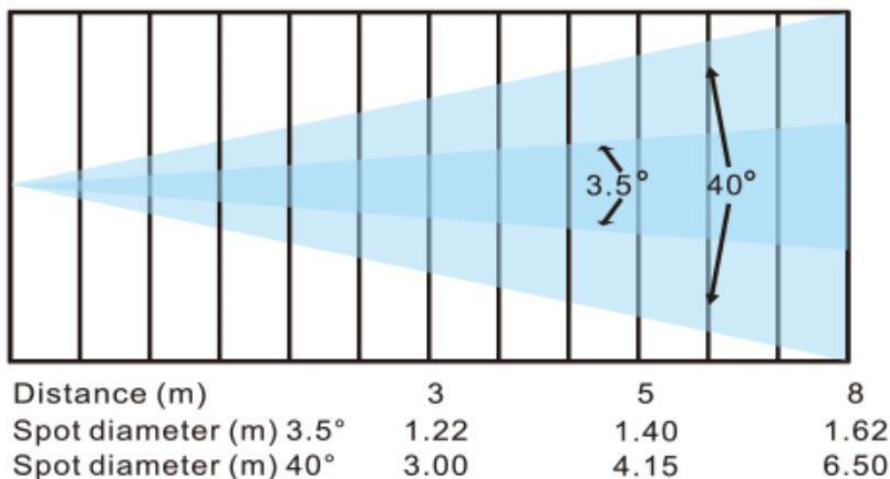
5. LUX Date

Beam Angle = 3.5°

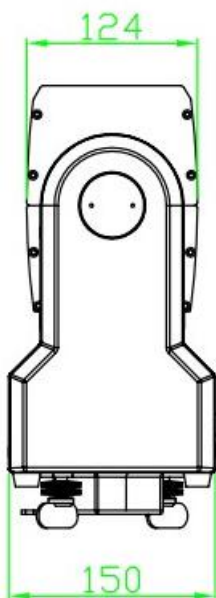
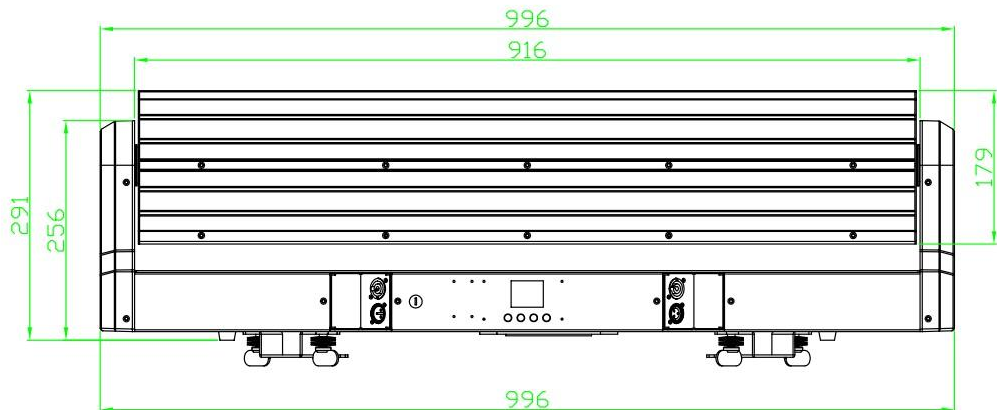
R lux	6999	4615	2678
G lux	13910	8294	4875
B lux	3367	2050	1180
W lux	22250	13130	815
4in1 lux	42640	24450	15340

Beam Angle = 40°

R lux	650	315	150
G lux	1450	680	315
B lux	350	165	75
W lux	2250	1250	479
4in1 lux	4170	1850	905



5. Shape



6. Trouble shooting

Following are a few common problems that may occur during operation. Here are some suggestions for easy troubleshooting:

A. The unit does not work, no light and the fan does not work

1. Check the connection of power and main fuse.
2. Measure the mains voltage on the main connector.
3. Check the power on LED.

B. Not responding to DMX controller

1. DMX LED should be on. If not, check DMX connectors, cables to see if link properly.
2. If the DMX LED is on and no response to the channel, check the address settings and DMX polarity.
3. If you have intermittent DMX signal problems, check the pins on connectors or on PCB of the unit or the previous one.
4. Try to use another DMX controller.
5. Check if the DMX cables run near or run alongside to high voltage cables that may cause damage or interference to DMX interface circuit.

C. One of the channels is not working well

1. The stepper motor might be damaged or the cable connected to the PCB is broken.
2. The motor's drive IC on the PCB might be out of condition