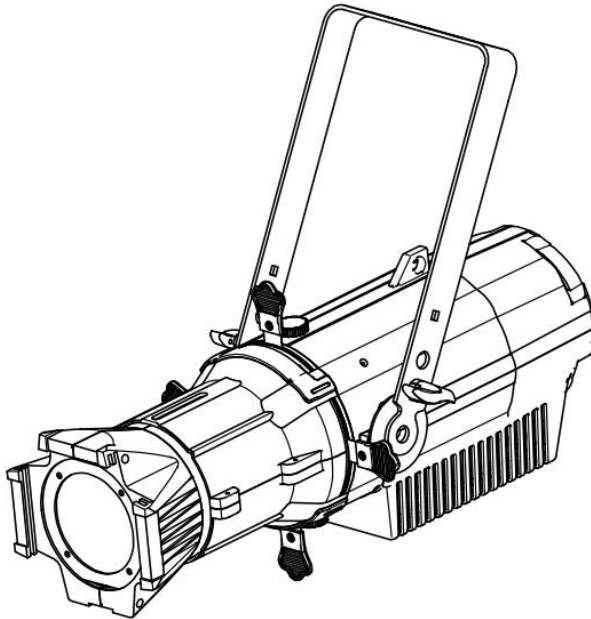


BY-P16 LED Profile Spot Light

200W Or 300W & WW Or CW

Die-casting Aluminum LED Profile Spot Light

(Fix Lens 19/26/36/50°)



User manual

Please read the instructions carefully before use

TABLE OF CONTENTS

1. Technical Specifications	3-4
2. Description	4
3. Unpacking	5-6
4. Main Menu	7
5. Vice Menu	7-9
6. DMX Channels	9
7. Size.....	10
8. Fixture Cleaning	11
9. Warning	11

Statement

LED Profile spotlight is powered by a single source 200 W LED that exceeds the output of a 750 W tungsten light source. This warm white ERS-style fixture boasts extremely smooth dimming down to the very bottom of the curve as well as a flat and even field of light for superior gobo projection. Control options like selectable PWM, RDM, and selectable dimming curves round out this virtually silent ellipsoidal.

1. Technical Specifications

Light Source:

LED POWER: 200W/300W

LED Color: CW 5600k or WW 3200K (200W/300W) COB LED

Color Rendering Index(CRI): Ra≥90

LED Life Time: over 50,000 hours

Power supply:

Voltage: AC100-240V

Max.power: 200W/300W

Optics:

Fixed Lens: 19°/26°/36°/50°(optional)

LED Life Time: over 50,000 hours

Iris: optional

Color Frame: optional

Features:

Dimming Curve: 4 kinds dimming curve

PWM: 500HZ - 25000HZ optional

Strobe :1-25times/sec

Light body feature:

Focus: Can be adjusted by hand

Technology: High-quality optical system , glass reflector

Light body: Die casting Aluminum

Touch screen: LCD with touch screen

Feature of housing: High quality fireproof ,corrosion-resistance, Oxidation

resistance

Control:

Control Protocol: RDM / DMX

Control System: DMX, Auto run and Master/Slave

DMX Channels: 1/2CH

Working Environment :

Working Temperature: -30~40°C

Cooling system: No noise fan (copper tube)

IP Grade: IP20

Package :

Dimensions: 611(D)*173(W)*480(H)mm

Net Weight : 10.5kgs

Gross Weight: 12.5 kgs

Packing Size: 72*33*31.5 cm (1pc/carton)

2. Descriptions

- Warm or cool white ERS style fixture with output exceeding a tungsten 750 W source
- Ultra smooth 16-bit dimming of master dimmer and individual colors
- Flat, even field of light with superior color mixing
- RDM (Remote Device Management) for added flexibility
- Adjustable PWM (Pulse Width Modulation) to avoid flickering on camera
- Selectable dimming curve: Standard mode, Incandescent mode, quick mode and linear mode
- LCD touch screen
- Virtually silent operation for use in studio and theatre applications

3. Unpacking

Thank you for choosing our P16. For your own safety, please read this manual before installing the device. This manual covers the important information on installation and applications. Please install and operate the fixture with following instructions. Meanwhile, please keep this manual well for future needs.

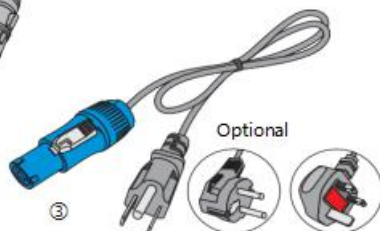
P16 is made of a new type of high temperature strength of die cast aluminum casing with nice outlook. The fixture is designed and manufactured strictly following CE&RoHS standards, complying with international standard DMX512 protocol. It's available independently controlled and linkable with each other for operation. And it is applicable for large-scale live performances, theater, studio, nightclubs and discos.

P16 adopts 1PCS 300W COB LED (available for WW) which features high brightness and stability. Please carefully unpack it when you receive the fixture and check whether it is damaged during the transportation. And please check whether the following items are included inside the box:

①



②



③

Optional

Plug standard: USA EURO UK



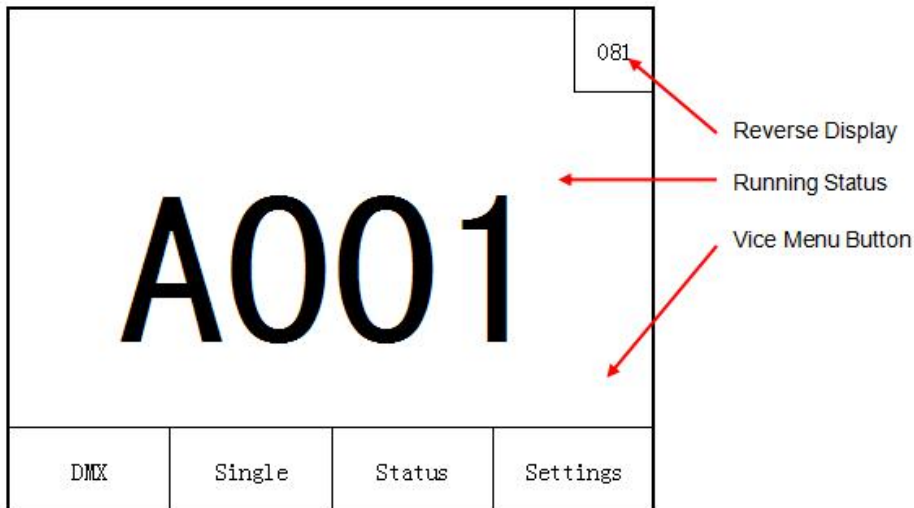
④

⑤



① PROFILE 300WW	1PC
② DMX cable	1PC
③ POWER cable	1PC
④ POWER OUT	1PC
⑤ User Manual	1PC

4. Main Menu



Operation Status

Mode	Display	Description
DMX Mode	Axxx	“A”stand for standard channel mode,, “xxx”stand for ID address
	Dxxx	“D”stand for basic channel mode, “xxx”stand for ID address
Manual Mode	S-MC	“S”stand for stand alone mode , “MC”stand for“Mixed Color”

5.Vice Menu

DMX Settings

Menu	Operation	Option	Description
DMX Start Address	Press key of “OK” enter to edit mode,	1~512	

	press "UP" and "down" to edit the DMX address		
DMX Profile	Press key of "OK" change the DMX channel mode	2CH	Standard Channel Mode
		1CH	Basic Channel Mode

Single Mode Choice

Menu	Operation	Vice Menu description
White Point	Press Key of "OK" to choose mode	Choose color temperature
Quick Color	Same as before	Choose inner setting color
Mixed Color	Same as before	Choose the color and strobe setting

Status

Menu	Description
Software	Name of software
Version	Version
Temperature	Show the temperature of lighting fixture
DMX Status	With"OK"(Slave mode, with signal), "NONE"(Slave mode, no signal)、"Alone" (alone)

Settings

Menu	Operation	Option	Description
Touch Screen Calibration	Touch screen adjust		
Dimmer Frequency	Change the dimmer frequency	500HZ	
		Each 100HZ for increase or decrease
		25000HZ	

Dimmer Curve	Change dimmer curve	Standard	
		Incandescent	
		Linear	
		Quick	
Over Temperature	Temperature setting	45~95	Each 5 for increase or decrease
Backlight	Adjust the display brightness	10%~100%	Each 5% for increase or decrease
Backlight Timeout	Screen protect setting	No screen protect or black screen from 0~ 60 second	Each 5 for increase or decrease
Load Factory Settings	Reset		

6.DMX Channels

Standard channel mode(2CH)

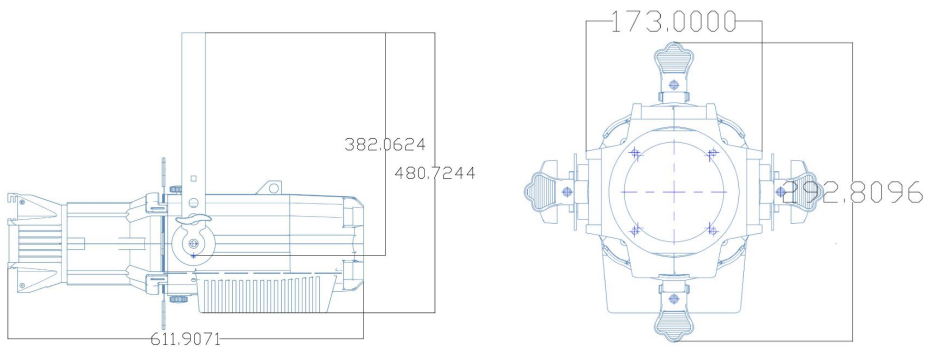
Channel	Data	Function	Remark
1	0~255	Dimmer	
2	0~10	No function	
	11~255	Strobe speed (255 is the fastest)	

Basic channel mode(1CH)

Channel	Data	Function
1	0~255	Color 1

7.Size

Size of the fixture: 611(D)*173(W)*480(H)mm



LCD with touch screen



Aluminium die-casting housing



Focus can be adjusted by hand

8. Fixture Cleaning

Before disconnecting the lighter or starting maintenance work, ensure that the power supply of the light is turned off to maintain the maximum brightness output of the light, and it can also prolong its service life. It is recommended to use high-quality professional glass cleaner and to clean it with cloth. Alcohol or chemical solvents are not allowed under any circumstances. The interior of the lamp is vacuum-cleaned at least once a year.

9.Warning

Do not disassemble or modify light fixtures

Do not expose the fixture to water or any other kind of liquids and metals

Do not install the lamp in a hot environment

Do not shoot the light beam on flammable materials. The distance between the light fixture and flammable material should be at least 2 meters.

The distance between the lamp and the surface of the adjacent object should be at least 0.5 meters.

Do not look directly at the beam of the follower lamp, as it may cause eye damage

Before opening the chasing light product or want to repair work, please make sure that the power is off