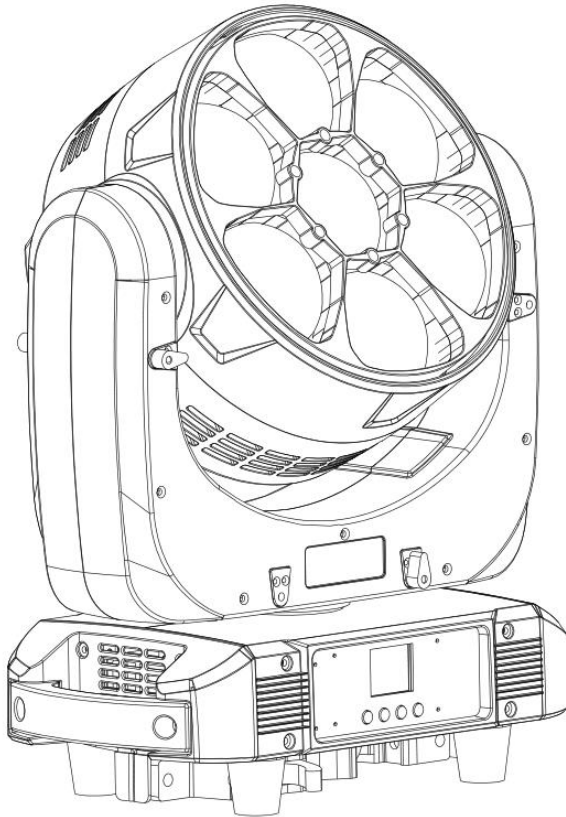


760

Bee eye Zoom 7*60w moving head



User manual

Please read the instructions carefully before use

TABLE OF CONTENTS

1. Safety Instructions	3 - 4
2. Technical Specifications.....	5
2. LUX Data.....	6
4. How To Control The Unit.....	6-9
5. DMX Channel List.....	9-47
6. Shape.....	48
7. Trouble shooting.....	49
8. Fixture Cleaning	50

statement

The product has well capability and intact packing when leave factory. All of the user should comply with warning item and manual, any misuse cause of the damages are not included in our guarantee, and also can't be responsible for any malfunction & problem owing to ignore the manual.

1. Safety Instructions

Please keep this User Guide for future consultation. If you sell the unit to another user, be sure that they also receive this instruction booklet.

- Unpack and check carefully there is no transportation damage before using the unit.
- Before operating, ensure that the voltage and frequency of power supply match the power requirements of the unit.
- It's important to ground the yellow/green conductor to earth in order to avoid electric shock.
- The unit is for indoor use only. Use only in a dry location.
- The unit must be installed in a location with adequate ventilation, at least 50 cm from adjacent surfaces. Be sure that no ventilation slots are blocked.
- Disconnect main power before replacement or servicing.
- Make sure there are no flammable materials close to the unit while operating as it is fire hazard.
- Use safety cable when fixes this unit. Do not handle the unit by taking its head only, but always by taking its base.
- Maximum ambient temperature is T_a : 40°C. Do not operate it where the temperature is higher than this Unit surface temperature may reach up to 85°C. Do not touch the housing bare-hand during its operation. Turn off the power and allow about 15 minutes for the unit to cool down before replacing or serving.
- the event of serious operating problem, stop using the unit immediately. Never try to repair the unit by yourself. Repairs carried out by unskilled people can lead to damage or malfunction. Please contact the nearest authorized technical assistance center. Always use the same type spare parts.
- Do not touch any wire during operation as high voltage might be causing electric shock.

Warning:

- To prevent or reduce the risk of electrical shock or fire, do not expose the unit to rain or moisture.
- Do not open the unit within five minutes after switching off.
- The housing, the lenses, or the ultraviolet filter must be replaced if they are visibly damaged.

Caution:

There are no user serviceable parts inside the unit. Do not open the housing or attempt any repairs yourself. In the unlikely event your unit may require service, please contact your nearest dealer.

Installation:

The unit should be mounted via its screw holes on the bracket. Always ensure that the unit is firmly fixed to avoid vibration and slipping while operating. And make sure that the structure to which you are attaching the unit is secure and is able to support a weight of 10 times of the unit's weight. Also always use a safety cable that can hold 12 times of the weight of the unit when installing the fixture.

The equipment must be fixed by professionals. And it must be fixed at a place where is out of the touch of people.

2. Technical Specifications

Light Sources: 7*60W 4IN1 RGBW LED

Beam Angle:3.5°- 45°

Power Consumption: 410w

Power Voltage: AC 100-240V, 50/60Hz

Net Weight:17.5 kgs

Gross Weight: 20.5 Kgs

Control

DMX Channel: 21/23/35/42/49/51/56CH

Control Modes: DMX512/master-Slave/Auto Run/Music

Pan/Tilt

Pan : 540°/ 360°, Tilt : 270°

Pan/Tilt Resolution: 8/16 bit

Construction

Display:180° reversible TFT Display

Data In/Out socket: 3-pin & 5-pin XLR sockets

Power Socket: Powercon in/out

Protection Rating: IP20

Features

LED single control

Outstanding color macro effect

Fast, quite operation and flicker free

High-efficiency optical system ,wonderful flower effect plus zoom

Led temperature protection & Fan run speed automatic based on the head temperature.

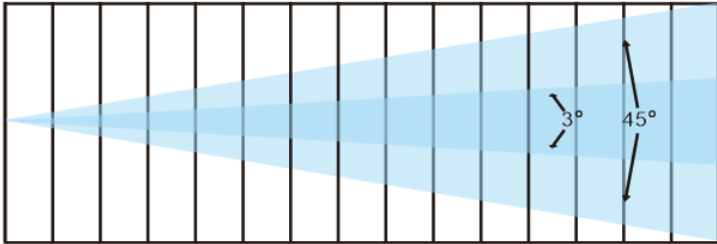
3. Lux Data

Zoom range = 3°

R lux	13600	11900	4460	1920
G lux	40300	33800	12400	5320
B lux	8400	6150	2310	1000
W lux	53600	39800	14600	6350
4in1 lux	109000	85300	31500	13600

Zoom range = 45°

R lux	5360	716	270	123
G lux	16000	2180	814	364
B lux	3180	435	162	71
W lux	19500	2660	890	443
4in1 lux	412000	5580	2090	935



Distance (m)	1	3	5	8
Spot diameter (m) 3°	0.28	0.50	0.66	1.00
Spot diameter (m) 45°	0.85	2.15	3.4	

4. How To Control The Unit



Menu Up Down Enter

Display:

MENU	To select the programming functions
DOWN	To go backward in the selected functions
UP	To go forward in the selected functions
ENTER	To confirm the selected functions

Set Address Code

- 1 Press "**Menu**" to "Set DMX Address", and press "**ENTER**" keys to enter into
- 2 Show "Set DMX Address DMX Address:**001**", Press the "**UP and DOWN**" keys to amended
- 3 Press "**ENTER**" keys to save and Exit, Press the "**MENU**" Keys does not save and Exit

Menu	Pan Degree	1) 540 ° , 2)360°	X-axis running angle selection
	Mic Sense	001 - 100	Sound sensitivity adjustment
	Language	English	Chinese
	Reset	Yes	No
	Default	Yes	No
	Adjust	Pass Word: ****	
		Pan	0 - 255
		Tilt	0 - 255
		Focus	0 - 255
		Rota	0 - 255
		Red	0 - 255
		Green	0 - 255

		Blue	0 - 255
		White	0 - 255
Address	Setting from 001 - 512		
Reverse	Forward or reversed setting	Pan	1.Yes
			2.No
		Tilt	1.Yes
			2.No
		Display	1.Yes
			2.No
Information	1.CH Value	Each channel show CH value	
	2.Temp ____°C	Show the temperature of led board	
	3.Soft V1.1	Show the version number	
Channel	21 channels		
	23 channels		
	35 channels		
	42 channels		
	49 channels		
	51 channels		
	56channels		
Mode	DMX 512		
	AUTO		
	SOUND		
Manual	Pan:0--255		
	Tilt:0--255		

	Master	Focus:0--255	Manual Control
		Rota:0-255	
		Red: 0--255	
	Alone	Green: 0--255	
		Blue: 0--255	
		White: 0--255	
		Strobe: 0-255	

5.DMX Channel List

Model 1 - CH21

Channel	Display	Function	Value
CH-1	Red	Red dimming	0 --- 255
CH-2	Red adjustment	Red adjustment	0 --- 255
CH-3	Green	Green dimming	0 --- 255
CH-4	Green adjustment	Green adjustment	0 --- 255
CH-5	Blue	Blue dimming	0 --- 255
CH-6	Blue adjustment	Blue dimming	0 --- 255
CH-7	White	White dimming	0 --- 255

CH-8	White adjustment	White adjustment	0 --- 255
CH-9	Color temperature	No	0--15
		R100%, G UP,B0%	16--35
		R DOWM, G100%, B0%	36--55
		R0%, G100%, B UP	56--75
		R0%, G DOWM, B100%	76--95
		R UP, G0%, B100%	96--115
		R100%, G0%, B DOWM	116--135
		R100%, G UP, B UP	136--155
		R DOWM, G DOWM, B 100%	156--175
		R100%G100%B100%W100%	176--195
		2800K	196--200
		3200K	201--205
		3500K	206--210

CH-9	Color temperature	4000K	211--215
		4500K	216--220
		5000K	221--225
		5500K	226--230
		6000K	231--235
		6500K	236--240
		7000K	241--245
		7500K	246--250
		8000K	251--255
CH-10	Macro color	No	0--9
		Macro color 1	10--23
		Macro color 2	24--37
	
		Macro color 16	234--247
		Macro color 17	248--255

CH-11	Strobe	Turn on the light	0---3
		Synchro strobe speed slow to fast (1HZ-25HZ)	4---203
		Random strobe	204--255
CH-12	Dimmer	dark to bright linear dimming	0 --- 255
CH-13	Dimmer adjust	Dimmer adjustment control	0 --- 255
CH-14	Pan	Pan control	0 --- 255
CH-15	Pan adjustment	Pan adjustment control	0 --- 255
CH-16	Tilt	Tilt control	0 --- 255
CH-17	Tilt adjustment	Tilt adjustment control	0 --- 255
CH-18	Dimming Mode	Mode -1	0 --- 49
		Mode -2	50 --- 99
		Mode -3	100---149
		Mode -4	150---255
		NO	0-250

CH-19	Reset	Reset within 5s	251---255
CH-20	Zoom	Zoom	0-255
CH-21	Lens rotation	0~60°	0-155
		Clockwise infinite rotation	156-205
		Counterclockwise rotation	206-255

Model 2 - CH23

Channel	Display	Function	Value
CH-1	Pan	0-540°	0 --- 255
CH-2	Pan adjustment	16bit adjustment	0 --- 255
CH-3	Tilt	0-205°	0 --- 255
CH-4	Tilt adjustment	16bit adjustment	0 --- 255
CH-5	XY speed	Speed from fast to slow	0 --- 255
CH-6	Zoom	Angle from small to large	0 --- 255
CH-7	Lens rotation	0~60°	0-155
		Clockwise infinite rotation from fast to slow	156-205

CH-7	Lens rotation	Counterclockwise rotation from slow to fast	206-255
CH-8	Dimmer	dark to bright linear dimming	0 --- 255
CH-9	Strobe	Synchro strobe speed From slow to fast (1HZ-25HZ)	4---203
		Random strobe	204--255
CH-10	R dimming	dark to bright linear dimming	0-255
CH-11	G dimming	dark to bright linear dimming	0-255
CH-12	B dimming	dark to bright linear dimming	0-255
CH-13	W dimming	dark to bright linear dimming	0-255
CH-14	Color temperature	No	0 ---15
		R100%, G UP, B0%	16---35
		R DOWM, G100%, B0%	36---55
		R0%, G100%, B UP	56---75
		R0%, G DOWM, B100%	76---95

CH-14	Color temperature	R UP, G0%,B100%	96---115
		R100%, G0%, B DOWM	116---135
		R100%, G UP, B UP	136---155
		R DOWM, G DOWM, B 100%	156---175
		R100%, G100%, B100%, W100%	176---195
		2800K	196---200
		3200K	201---205
		3500K	206---210
		4000K	211---215
		4500K	216---220
		5000K	221---225
		5500K	226--230
		6000K	231--235
		6500K	236--240
		7000K	241--245

		7500K	246--250
		8000K	251--255
CH-15	Macro color	No	0--9
		Macro color 1	10--23
		Macro color 2	24--37
	
		Macro color 16	234--247
		Macro color 17	248--255
CH-16	Static pattern	No	0--9
		Monochrome pattern 1	10--19
		Monochrome pattern 2	20--29
	
		Monochrome pattern 12	120--129
		Mixed color pattern 1	130--145
		Mixed color pattern 2	146--161

	
		Mixed color pattern 7	226--241
		Mixed color pattern 8	242--255
CH-17	Dynamic pattern	NO	0--9
		Monochrome dynamic pattern 1	10--17
		Monochrome dynamic pattern 2	18--25
	
		Monochrome pattern 21	170--177
		Mixed color dynamic pattern 1	178--185
		Mixed color dynamic pattern 2	186--193
	
		Mixed color dynamic pattern 9	242--249
		Mixed color dynamic pattern 10	250--255
CH-18	Dynamic pattern speed	Forward, from fast to slow (with 17CH)	0--127
		Reverse, from slow to fast (with	128--255

		17CH)	
CH-19	Back color R	dark to bright linear dimming	0-255
CH-20	Back color G	dark to bright linear dimming	0-255
CH-21	Back color B	dark to bright linear dimming	0-255
CH-22	Back color W	dark to bright linear dimming	0-255
CH-23	Reset	NO	0-250
		Reset within 5s	251--255

Model 3 - CH35

Channel	Display	Function	Value
CH-1	Red	Red dimming	0 --- 255
CH-2	Red adjustment	Red adjustment	0 --- 255
CH-3	Green	Green dimming	0 --- 255
CH-4	Green adjustment	Green adjustment	0 --- 255
CH-5	Blue	Blue dimming	0 --- 255
CH-6	Blue adjustment	Blue dimming	0 --- 255

CH-7	White	White dimming	0 --- 255
CH-8	White adjustment	White adjustment	0 --- 255
CH-9	Color temperature	No	0 ---15
		R100%, G UP, B0%	16---35
		R DOWM, G100%, B0%	36---55
		R0%, G100%, B UP	56---75
		R0%, G DOWM, B100%	76---95
		R UP, G0%, B100%	96---115
		R100%, G0%, B DOWM	116--135
		R100%, G UP, B UP	136---155
		R DOWM, G DOWM, B 100%	156---175
		R 100%, G 100%, B 100%, W 100%	176---195
		2800K	196---200
		3200K	201---205

CH-9	Color temperature	3500K	206---210
		4000K	211---215
		4500K	216---220
		5000K	221---225
		5500K	226--230
		6000K	231--235
		6500K	236--240
		7000K	241--245
		7500K	246--250
		8000K	251--255
CH-10	Macro color	No	0--9
		Macro color 1	10--23
		Macro color 2	24--37
	
		Macro color 16	234--247

CH-10	Macro color	Macro color 17	248--255
CH-11	Strobe	Turn on the light	0---3
		Synchro strobe speed slow to fast (1HZ-25HZ)	4---203
		Random strobe	204--255
CH-12	Dimmer	dark to bright linear dimming	0 --- 255
CH-13	Dimmer adjust	Dimmer adjustment control	0 --- 255
CH-14	Pan	Pan control	0 --- 255
CH-15	Pan adjustment	Pan adjustment control	0 --- 255
CH-16	Tilt	Tilt control	0 --- 255
CH-17	Tilt adjustment	Tilt adjustment control	0 --- 255
CH-18	Dimming Mode	Mode -1	0 --- 49
		Mode -2	50 --- 99
		Mode -3	100---149
		Mode -4	150---255

CH-19	Reset	NO	0-250
		Reset within 5s	251---255
CH-20	Zoom	Zoom	0-255
CH-21	Lens rotation	0~60°	0--155
		Clockwise infinite rotation	156--205
		Counterclockwise rotation	206--255
CH-22	Pattern rotation	NO	0--9
		Monochrome dynamic pattern 1	10--17
		Monochrome dynamic pattern 2	18--25
	
		Monochrome pattern 21	170--177
		Mixed color dynamic pattern 1	178--185
		Mixed color dynamic pattern 2	186--193
	

CH-22	Pattern rotation	Mixed color dynamic pattern 9	242--249
		Mixed color dynamic pattern 10	250--255
CH-23	Pattern effect speed	No	0--9
		Forward, from fast to slow (with 22CH)	10--132
		Reverse, from slow to fast(with 22CH)	133--255
CH-24	Pattern effect fade	Pattern effect fade	0-255
CH-25	Background R	Pattern effect R	0-255
CH-26	Background G	Pattern effect G	0-255
CH-27	Background B	Pattern effect B	0-255
CH-28	Background W	Pattern effect W	0-255
CH-29	Pattern dimming	Pattern 0-100% dimming	0-255
CH-30	Background dimming	Background 0-100% dimming	0-255

CH-31	Pattern change	Pattern change control	0-255
CH-32	Pattern movement	Pattern movement (with 22CH)	0-255
CH-33	Prospects strobe	Prospects strobe	0-255
CH-34	Background strobe	Background strobe	0-255
CH-35	Background pattern selection	Background selection	0-255

Model 4 - CH42

Channel	Display	Function	Value
CH-1	Red	Red dimming	0 --- 255
CH-2	Red adjustment	Red adjustment	0 --- 255
CH-3	Green	Green dimming	0 --- 255
CH-4	Green adjustment	Green adjustment	0 --- 255
CH-5	Blue	Blue dimming	0 --- 255
CH-6	Blue adjustment	Blue dimming	0 --- 255
CH-7	White	White dimming	0 --- 255

CH-8	White adjustment	White adjustment	0 --- 255
CH-9	Color temperature	No	0 ---15
		R100%, G UP, B 0%	16---35
		R DOWM, G 100%, B 0%	36---55
		R 0%, G 100%, B UP	56---75
		R0%, G DOWM, B 100%	76---95
		R UP, G0%, B100%	96---115
		R 100%, G 0%, B DOWM	116--135
		R100%, G UP, B UP	136---155
		R DOWM, G DOWM, B 100%	156---175
		R100%G100%B100%W100%	176---195
		2800K	196---200
		3200K	201---205
		3500K	206---210

CH-9	Color temperature	4000K	211---215
		4500K	216---220
		5000K	221---225
		5500K	226--230
		6000K	231--235
		6500K	236--240
		7000K	241--245
		7500K	246--250
		8000K	251--255
CH-10	Macro color	No	0--9
CH-10	Macro color	Macro color 1	10--23
		Macro color 2	24--37
	
		Macro color 16	234--247
		Macro color 17	248--255

CH-11	Strobe	Turn on the light	0---3
		Synchro strobe speed slow to fast (1HZ-25HZ)	4---203
		Random strobe	204--255
CH-12	Dimmer	dark to bright linear dimming	0 --- 255
CH-13	Dimmer adjust	Dimmer adjustment control	0 --- 255
CH-14	Pan	Pan control	0 --- 255
CH-15	Pan adjustment	Pan adjustment control	0 --- 255
CH-16	Tilt	Tilt control	0 --- 255
CH-17	Tilt adjustment	Tilt adjustment control	0 --- 255
CH-18	Dimming Mode	Mode -1	0 --- 49
		Mode -2	50 --- 99
		Mode -3	100---149
		Mode -4	150---255
		NO	0-250

CH-19	Reset	Reset within 5s	251---255
CH-20	Zoom	Zoom	0-255
CH-21	Lens rotation	0~60°	0--155
		Clockwise infinite rotation	156--205
		Counterclockwise rotation	206--255
CH-22	R1 LED dimming	R1 LED dimming	0-255
CH-23	G1 LED dimming	G1 LED dimming	0-255
CH-24	B1 LED dimming	B1 LED dimming	0-255
CH-25	R2 LED dimming	R2 LED dimming	0-255
CH-26	G2 LED dimming	G2 LED dimming	0-255
CH-27	B2 LED dimming	B2 LED dimming	0-255
CH-28
CH-40	R7 LED dimming	R7 LED dimming	0-255
CH-41	G7 LED dimming	G7 LED dimming	0-255
CH-42	B7 LED dimming	B7 LED dimming	0-255

Model 5 - CH49

Channel	Display	Function	Value
CH-1	Red	Red dimming	0 --- 255
CH-2	Red adjustment	Red adjustment	0 --- 255
CH-3	Green	Green dimming	0 --- 255
CH-4	Green adjustment	Green adjustment	0 --- 255
CH-5	Blue	Blue dimming	0 --- 255
CH-6	Blue adjustment	Blue dimming	0 --- 255
CH-7	White	White dimming	0 --- 255
CH-8	White adjustment	White adjustment	0 --- 255
CH-9	Color temperature	No	0 ---15
		R 100%, G UP, B 0%	16---35
		R DOWM, G1 00%, B 0%	36---55
		R 0%, G 100%, B UP	56---75
		R 0%, G DOWM, B 100%	76---95

CH-9		R UP, G0%,B100%	96---115
		R 100%, G0%, B DOWM	116--135
		R100%, G UP, B UP	136---155
		R DOWM, G DOWM, B 100%	156---175
		R100%G100%B100%W100	176---195
	Color temperature	2800K	196---200
		3200K	201---205
		3500K	206---210
		4000K	211---215
		4500K	216---220
		5000K	221---225
		5500K	226--230
		6000K	231--235
		6500K	236--240
		7000K	241--245

		7500K	246--250
		8000K	251--255
CH-10	Macro color	No	0--9
		Macro color 1	10--23
		Macro color 2	24--37
	
		Macro color 16	234--247
		Macro color 17	248--255
CH-11	Strobe	Turn on the light	0---3
		Synchro strobe speed slow to fast (1HZ-25HZ)	4---203
		Random strobe	204--255
CH-12	Dimmer	dark to bright linear dimming	0 --- 255
CH-13	Dimmer adjust	Dimmer adjustment control	0 --- 255
CH-14	Pan	Pan control	0 --- 255

CH-15	Pan adjustment	Pan adjustment control	0 --- 255
CH-16	Tilt	Tilt control	0 --- 255
CH-17	Tilt adjustment	Tilt adjustment control	0 --- 255
CH-18	Dimming Mode	Mode -1	0 --- 49
		Mode -2	50 --- 99
		Mode -3	100---149
		Mode -4	150---255
CH-19	Reset	NO	0-250
		Reset within 5s	251---255
CH-20	Zoom	Zoom	0-255
CH-21	Lens rotation	0~60°	0--155
		Clockwise infinite rotation	156--205
		Counterclockwise rotation	206--255
CH-22	R1 LED dimming	R1 LED dimming	0-255
CH-23	G1 LED dimming	G1 LED dimming	0-255

CH-24	B1 LED dimming	B1 LED dimming	0-255
CH-25	W1 LED dimming	W1 LED dimming	0-255
CH-26	0-255
CH-46	R7 LED dimming	R7 LED dimming	0-255
CH-47	G7 LED dimming	G7 LED dimming	0-255
CH-48	B7 LED dimming	B7 LED dimming	0-255
CH-49	W7 LED dimming	W7 LED dimming	0-255

Model 6 - CH51

Channel	Display	Function	Value
CH-1	Pan	0-540°	0 --- 255
CH-2	Pan adjustment	16bit adjustment	0 --- 255
CH-3	Tilt	0-205°	0 --- 255
CH-4	Tilt adjustment	16bit adjustment	0 --- 255
CH-5	XY speed	Speed from fast to slow	0 --- 255
CH-6	Zoom	Angle from small to large	0 --- 255

CH-7	Lens rotation	0~60°	0-155
		Clockwise infinite rotation from fast to slow	156-205
		Counterclockwise rotation from slow to fast	206-255
CH-8	Dimmer	dark to bright linear dimming	0 --- 255
CH-9	Strobe	Turn on the light	0---3
		Synchro strobe speed From slow to fast (1HZ-25HZ)	4---203
		Random strobe	204--255
CH-10	R dimming	dark to bright linear dimming	0-255
CH-11	G dimming	dark to bright linear dimming	0-255
CH-12	B dimming	dark to bright linear dimming	0-255
CH-13	W dimming	dark to bright linear dimming	0-255
		No	0 ---15
		R 100%, G UP, B 0%	16---35

CH-14	Color temperature	R DOWM, G 100%, B 0%	36---55
		R 0%, G 100%, B UP	56---75
		R 0%, G DOWM, B 100%	76---95
		R UP, G 0%, B 100%	96---115
		R100%, G 0%, B DOWM	116---135
		R100%, G UP, B UP	136---155
		R DOWM. G DOWM. B 100%	156---175
		R100%,G100%,B100%,W100%	176---195
		2800K	196---200
		3200K	201---205
		3500K	206---210
		4000K	211---215
		4500K	216---220
		5000K	221---225

CH-14	Color temperature	5500K	226--230
		6000K	231--235
		6500K	236--240
		7000K	241--245
		7500K	246--250
		8000K	251--255
CH-15	Macro color	No	0--9
		Macro color 1	10--23
		Macro color 2	24--37
	
		Macro color 16	234--247
CH-15	Macro color	Macro color 17	248--255
		No	0--9
		Monochrome pattern 1	10--19
		Monochrome pattern 2	20--29

CH-16	Static pattern
		Monochrome pattern 12	120--129
		Mixed color pattern 1	130--145
		Mixed color pattern 2	146--161
	
		Mixed color pattern 7	226--241
		Mixed color pattern 8	242--255
CH-17	Dynamic pattern	NO	0--9
		Monochrome dynamic pattern 1	10--17
		Monochrome dynamic pattern 2	18--25
	
CH-17	Dynamic pattern	Monochrome pattern 21	170--177
		Mixed color dynamic pattern 1	178--185
		Mixed color dynamic pattern 2	186--193
	

		Mixed color dynamic pattern 9	242--249
		Mixed color dynamic pattern 10	250--255
CH-18	Dynamic pattern speed	Forward, from fast to slow (with 17CH)	0--127
		Reverse, from slow to fast (with 17CH)	128--255
CH-19	Back color R	dark to bright linear dimming	0-255
CH-20	Back color G	dark to bright linear dimming	0-255
CH-21	Back color B	dark to bright linear dimming	0-255
CH-22	Back color W	dark to bright linear dimming	0-255
CH-23	Reset	NO	0-250
		Reset within 5s	251-255
CH-24	R1 LED dimmer	R1 LED dimming	0-255
CH-25	G1LED dimmer	G1 LED dimming	0-255
CH-26	B1 LED dimmer	B1 LED dimming	0-255
CH-27	W1LED dimmer	W1 LED dimming	0-255

CH-28
CH-48	R7 LED dimmer	R7 LED dimming	0-255
CH-49	G7LED dimmer	G7 LED dimming	0-255
CH-50	B7LED	B7 LED dimming	0-255
CH-51	W7LED dimmer	W7 LED dimming	0-255

Model 7 - CH56

Channel	Display	Function	Value
CH-1	Red	Red dimming	0 --- 255
CH-2	Red adjustment	Red adjustment	0 --- 255
CH-3	Green	Green dimming	0 --- 255
CH-4	Green adjustment	Green adjustment	0 --- 255
CH-5	Blue	Blue dimming	0 --- 255
CH-6	Blue adjustment	Blue dimming	0 --- 255
CH-7	White	White dimming	0 --- 255
CH-8	White adjustment	White adjustment	0 --- 255

CH-9	Color temperature	No	0 ---15
		R 100%, G UP, B 0%	16---35
		R DOWM, G 100%, B 0%	36---55
		R 0%, G 100%, B UP	56---75
		R 0%, G DOWM, B 100%	76---95
		R UP, G 0%, B 100%	96---115
		R 100%, G0%, B DOWM	116--135
		R 100%, G UP, B UP	136---155
		R DOWM, G DOWM, B 100%	156---175
		R 100%, G 100%, B 100%, W 100%	176---195
CH-9	Color temperature	2800K	196---200
		3200K	201---205
		3500K	206---210
		4000K	211---215

		4500K	216---220
		5000K	221---225
		5500K	226--230
		6000K	231--235
		6500K	236--240
		7000K	241--245
		7500K	246--250
		8000K	251--255
CH-10	Macro color	No	0--9
		Macro color 1	10--23
		Macro color 2	24--37
	
		Macro color 16	234--247
		Macro color 17	248--255
		Turn on the light	0---3

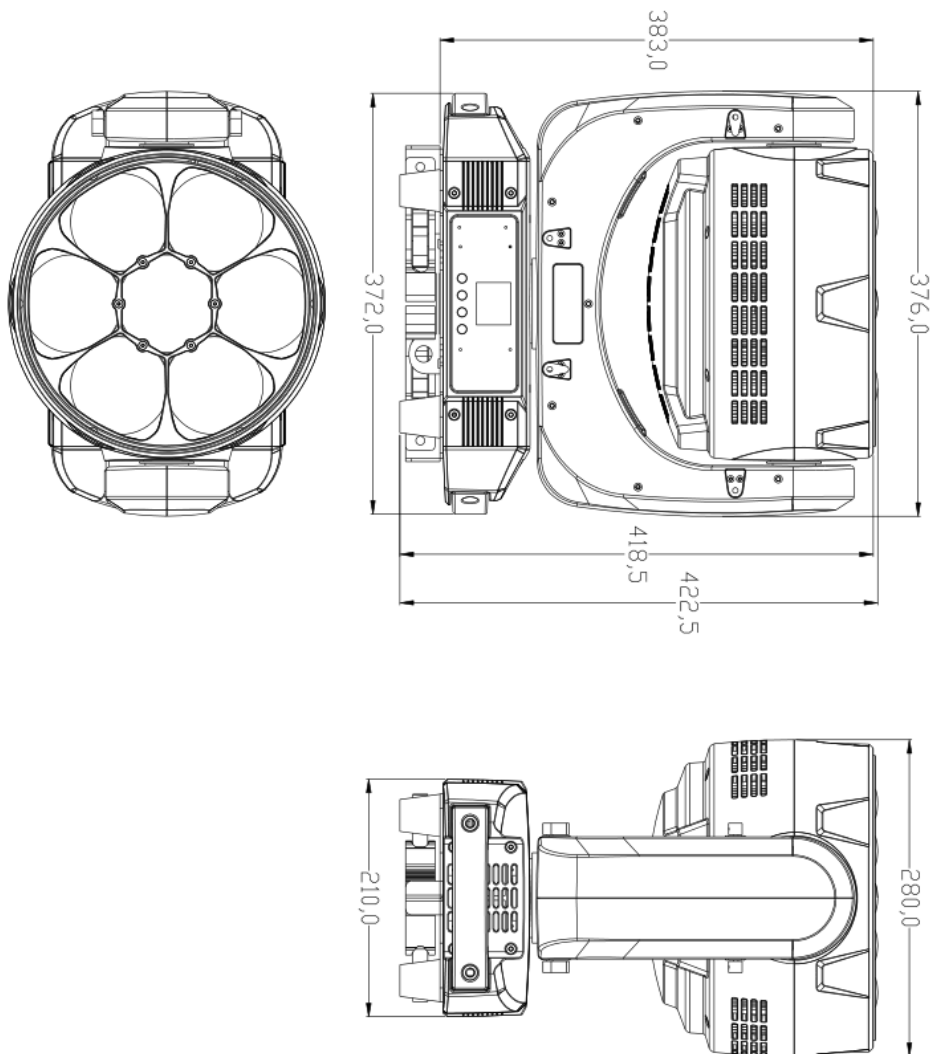
CH-11	Strobe	Synchro strobe speed slow to fast (1HZ-25HZ)	4---203
		Random strobe	204--255
CH-12	Dimmer	dark to bright linear dimming	0 --- 255
CH-13	Dimmer adjust	Dimmer adjustment control	0 --- 255
CH-14	Pan	Pan control	0 --- 255
CH-15	Pan adjustment	Pan adjustment control	0 --- 255
CH-16	Tilt	Tilt control	0 --- 255
CH-17	Tilt adjustment	Tilt adjustment control	0 --- 255
CH-18	Dimming Mode	Mode -1	0 --- 49
		Mode -2	50 --- 99
		Mode -3	100---149
		Mode -4	150---255
CH-19	Reset	NO	0-250
		Reset within 5s	251---255

CH-20	Zoom	Zoom	0-255
CH-21	Lens rotation	0~60°	0--155
		Clockwise infinite rotation	156--205
		Counterclockwise rotation	206--255
CH-22	Static pattern	No	0--9
		Monochrome pattern 1	10--17
		Monochrome pattern 2	18--25
	
		Monochrome pattern 21	170--177
		Mixed color pattern 1	178--185
		Mixed color pattern 2	186--193
	
		Mixed color pattern 9	242--249
		Mixed color pattern 10	250--255
		No	0--9

CH-23	Dynamic pattern speed	Forward, from fast to slow (with 22CH)	10--132
CH-23	Dynamic pattern speed	Reverse, from slow to fast (with 22CH)	133--255
CH-24	Pattern effect fade	Pattern effect fade	0-255
CH-25	color R	dark to bright linear dimming	0-255
CH-26	color G	dark to bright linear dimming	0-255
CH-27	color B	dark to bright linear dimming	0-255
CH-28	color W	dark to bright linear dimming	0-255
CH-29	Pattern dimming	Pattern 0-100% dimming	0-255
CH-30	Background dimming	Background 0-100% dimming	0-255
CH-31	Pattern change	Pattern change control	0-255
CH-32	Pattern movement	Pattern movement (with 22CH)	0-255
CH-33	Prospects strobe	Prospects strobe	0-255
CH-34	Background strobe	Background strobe	0-255

CH-35	pattern selection	Background selection	0-255
CH-36	R1 LED dimming	R1 LED dimming	0-255
CH-37	G1 LED dimming	G1 LED dimming	0-255
CH-38	B1 LED dimming	B1 LED dimming	0-255
CH-39	0-255
CH-54	R7 LED dimming	R7 LED dimming	0-255
CH-55	G7 LED dimming	G7 LED dimming	0-255
CH-56	B7 LED dimming	B7 LED dimming	0-255

6. Shape



7. Trouble shooting

Following are a few common problems that may occur during operation. Here are some suggestions for easy troubleshooting:

A. The unit does not work, no light and the fan does not work

1. Check the connection of power and main fuse.
2. Measure the mains voltage on the main connector.
3. Check the power on LED.

B. Not responding to DMX controller

1. DMX LED should be on. If not, check DMX connectors, cables to see if link properly.
2. If the DMX LED is on and no response to the channel, check the address settings and DMX polarity.
3. If you have intermittent DMX signal problems, check the pins on connectors or on PCB of the unit or the previous one.
4. Try to use another DMX controller.
5. Check if the DMX cables run near or run alongside to high voltage cables that may cause damage or interference to DMX interface circuit.

C. One of the channels is not working well

1. The stepper motor might be damaged or the cable connected to the PCB is broken.
2. The motor's drive IC on the PCB might be out of condition.

8. Fixture Cleaning

The cleaning of internal and external optical lenses and/or mirrors must be carried out periodically to optimize light output. Cleaning frequency depends on the environment in which the fixture operates: damp, smoky or particularly dirty surrounding can cause greater accumulation of dirt on the unit's optics.

- **Clean with soft cloth using normal glass cleaning fluid.**
- **Always dry the parts carefully.**
- **Clean the external optics at least every 20 days. Clean the internal optics at least every 30/60 days.**