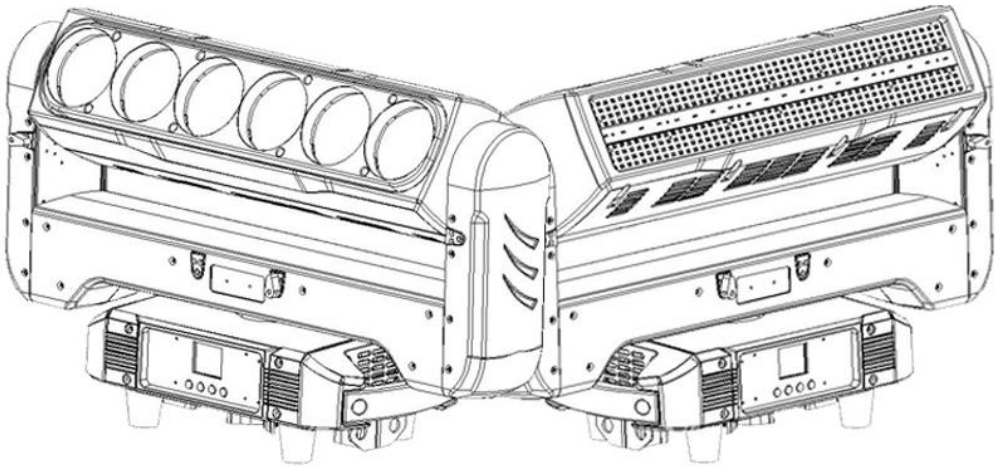

**6*60w double face Led pixel zoom and strobe
bar moving head**



User manual

Please read the instructions carefully before use

TABLE OF CONTENTS

1. Safety Instructions	1 - 4
2. Technical Specifications.....	5-6
3. LUX Data.....	6
4. How To Control The Unit.....	7-9
5. DMX Channel List.....	10-23
6. Shape.....	24
7.Trouble shooting.....	25

statement

The product has well capability and intact packing when leave factory. All of the user should comply with warning item and manual, any misuse cause of the damages are not included in our guarantee, and also can not be responsible for any malfunction & problem owing to ignore the manual.

1. Safety Instructions

Please keep this User Guide for future consultation. If you sell the unit to another user, be sure that they also receive this instruction booklet.

Unpack and check carefully there is no transportation damage before using the unit.

Before operating, ensure that the voltage and frequency of power supply match the power requirements of the unit.

It's important to ground the yellow/green conductor to earth in order to avoid electric shock.

The unit is for indoor use only. Use only in a dry location.

The unit must be installed in a location with adequate ventilation, at least 50cm from adjacent surfaces. Be sure that no ventilation slots are blocked.

Disconnect main power before replacement or servicing.

Make sure there are no flammable materials close to the unit while operating as it is fire hazard.

Use safety cable when fixes this unit. DO NOT handle the unit by taking its head only, but always by taking its base.

Maximum ambient temperature is T_a : 40°C. DO NOT operate it where the temperature is higher than this Unit surface temperature may reach up to 85°C. Do not touch the housing bare-hand during its operation. Turn off the power and allow about 15 minutes for the unit to cool down before replacing or serving.

The event of serious operating problem, stop using the unit immediately. Never try to repair the unit by yourself. Repairs carried out by unskilled people can lead to damage or malfunction. Please contact the nearest authorized technical assistance center. Always use the same type spare parts.

Do not touch any wire during operation as high voltage might be causing electric shock.

Warning:

To prevent or reduce the risk of electrical shock or fire, do not expose the unit to rain or moisture.

DO NOT open the unit within five minutes after switching off.

The housing, the lenses, or the ultraviolet filter must be replaced if they are visibly damaged.

Caution:

There are no user serviceable parts inside the unit. DO NOT open the housing or attempt any repairs yourself. In the unlikely event your unit may require service, please contact your nearest dealer.

Installation:

The unit should be mounted via its screw holes on the bracket. Always ensure that the unit is firmly fixed to avoid vibration and slipping while operating. And make sure that the structure to which you are attaching the unit is secure and is able to support a weight of 10 times of the unit's weight. Also always use a safety cable that can hold 12 times of the weight of the unit when installing the fixture. The equipment must be fixed by professionals. And it must be fixed at a place where is out of the touch of people.

2. Technical Specifications

Light Sources:

Zoom wash face: 6*60W 4IN1 RGBW LED;
Strobe face: 20*10W white led+384*0.5W 3in1 RGB Led
Beam Angle:3.5°- 45°
PMMA high quality and high output optic
Power Consumption: 700w
Power Voltage: AC 100-240V, 50/60Hz

Control

DMX Channel:34/54 Channels
Control Protocol: DMX512/RDM

Pan/Tilt

Pan / Tilt : Infinite Rotation
Pan/Tilt Resolution: 8/16 bit
Magnetic coded reset system is adopted

Construction

Display:1.8 inch 180° reversible colorful TFT Display
Data In/Out socket: 3-pin & 5-pin XLR sockets
Power Socket: Power-Con in
Protection Rating: IP20
Reset the light fixture by menu or console
Equipped with Small and easy to operate Pan & Tilt fix lock
Dimension:640*210*369 mm
Net Weight:19.5 kg
Flight case packing (1 in 1): 720x640x600mm
Carton packing(1 in 1):735x505x300mm

Features

Double face moving head with beam, wash, strobe effect
Good to use for stage effect, background or stage shape

Dimmer:0~100% smooth dimming

Four dimmer model in optional(delay or without delay)

Led single controlled

Strong beam effects with high brightness

Led temperature protection & auto adjust led brightness

Fan run speed automatic based on the head temperature.

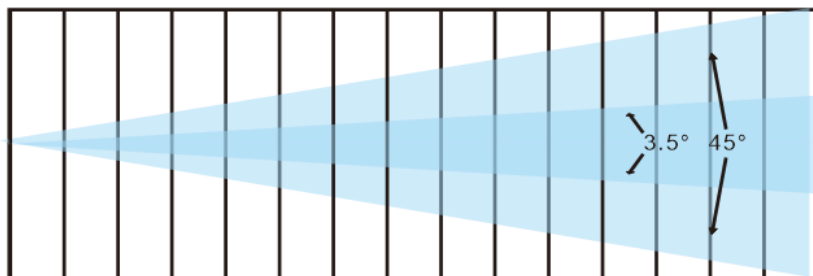
3.LUX Date

Min Zoom range =3.5°

R lux	28800	6350	3700	2080
G lux	57500	17500	9020	4570
B lux	10500	3210	1640	810
W lux	80700	21400	11600	5980
4in1 lux	165000	45500	24100	12500

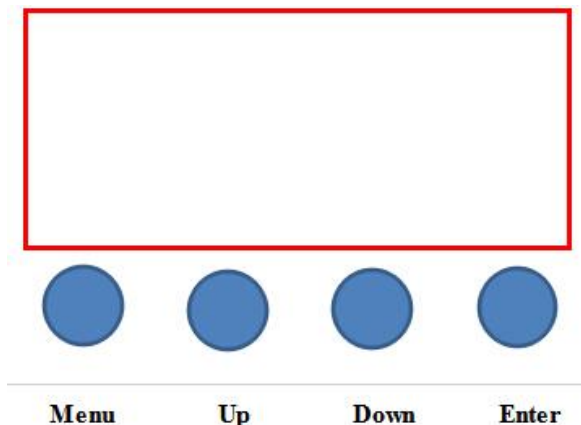
Max Zoom range =45°

R lux	4030	576	215	103
G lux	9700	1520	568	251
B lux	1890	290	110	476
W lux	13000	2010	745	335
4in1 lux	26700	4100	1520	687



Distance (m)		1	3	5	8
Spot diameter (m) 3.5°		0.52	0.8	0.82	1.10
Spot diameter (m) 45°		1.150	2.40	3.74	

4. Display & Menu



Display:

- MENU To select the programming functions
- DOWN To go backward in the selected functions
- UP To go forward in the selected functions
- ENTER To confirm the selected functions

Set DMX Address Code

- 1 Press "**Menu**" to "Set DMX Address",and press"**ENTER**" keys to enter into
- 2 Show "Set DMX Address DMX Address:**001**",Press the "**UP and DOWN**" keys to amended
- 3 Press "**ENTER**"keys to save and Exit,Press the"**MENU**"Keys does not save and Exit

Menu	Pan Degree	540 degree	360 degree
	Mic Sense	001 - 100,Sound sensitivity adjustment	
	Language	English	Chinese
	Reset	Yes	No

	Default	Yes	No
	Adjust	Pass Word: ****	
		Pan	0 - 255
		Tilt	0 - 255
		Focus	0 - 255
		Red	0 - 255
		Green	0 - 255
		Blue	0 - 255
		White	0 - 255
Address	Setting from 001 - 512		
Reverse	Forward or reversed setting	Pan	1.Yes
			2.No
		Tilt	1.Yes
			2.No
		Display	1.Yes
			2.No
Inform	1.CH Value	Each channel value	
	2.Temp/°C	Temperature of led board	
	3.Soft V.XXX	Show the version number	
Mode	DMX 512	Control by DMX console	
	AUTO	Master	
		Alone	
	SOUND	Master	
		Alone	
Manual		Pan:0--255	
		Tilt:0--255	

	Master	Focus:0--255	Manual control ("1" mean wash zoom face; "2" means strobe face)
		Red1: 0--255	
		Green1: 0--255	
		Blue1: 0--255	
		White1: 0--255	
	Alone	Strobe1: 0--255	
		Red2: 0--255	
		Green2: 0--255	
		Blue2: 0-255	
		White2:0--255	
		Strobe2:0-255	
Channel	54 channels	54 channel mode	Channel
	34 channels	34 channel mode	

5.DMX Channel List

Model 1 - CH54

Channel	Function	Description	Value
CH-1	Pan	Pan adjustment	0 --- 255

CH-2	Pan fine		Pan fine adjustment	0 --- 255
CH-3	Tilt		Tilt adjustment	0 --- 255
CH-4	Tilt fine		Tilt fine adjustment	0 --- 255
CH-5	Pan/Tilt speed		from fast to slow	0 --- 255
CH-6	Pan infinite rotation		No function	0 --- 55
			Rotating from slow to fast	56 --- 155
			Rotating from slow to fast	156---255
CH-7	Tilt infinite rotation		No function	0 --- 55
			Clockwise rotating from slow to fast	56 --- 155
			Anticlockwise rotating from slow to fast	156---255
CH-8	6x60w wash face	strobe	No function	0-15
			Strobe from fast to slow	16--214
			Random strobe	215--225
CH-9		Dimmer	From dark to bright	0-255
CH-10		Dimmer mode	Model - 1	0 --- 49
	Model - 2		50 --- 99	
	Model - 3		100--- 149	
	Model - 4		150--- 255	

CH-11	6x60W wash face	zoom	Angle from big to small	0 --- 255
CH-12		Red - 1	From dark to bright	0 --- 255
CH-13		Green - 1		
CH-14		Blue - 1		
CH-15		White - 1		
CH-16		Red - 2		
CH-17		Green - 2		0 --- 255
CH-18		Blue - 2		
CH-19		White - 2		
CH-20		Red - 3		
CH-21		Green - 3		
CH-22		Blue - 3	0 --- 255	
CH-23		White - 3		
CH-24		Red - 4		From dark to bright
CH-25		Green - 4		
CH-26		Blue - 4		
CH-27		White - 4		
CH-28		Red - 5		
CH-29		Green - 5	0 --- 255	
CH-30		Blue - 5		

CH-31	6x60W wash face	White - 5		0 --- 255
CH-32		Red - 6		
CH-33		Green - 6		
CH-34		Blue - 6		
CH-35		White - 6		
CH-36	6x60W wash face	Static color	No function	0----15
			R 100%,G up,B0%	16----35
			R down,G 100%,B0%	36----55
			R 0%,G 100%,B up	56----75
			R 0%,G100%,B up	76----95
			R up,G0%,B100%	96----115
			R 100%,G0%,B down	116----135
			R 100%,G up,B up	136----155
			R100%,G down,B100%	156----175
			R100%,G 100%,B100%,W100%	176----195
			2800K	196----200
			3200K	201----205
			3500K	206----210
4000K	211----215			

CH-36	6x60W wash face	Static color	4500K	216---220
			5000K	221---225
			5500K	226---230
			6000K	231---235
			6500K	236---240
			7000K	241---245
			7500K	246---250
			8000K	251---255
CH-37	6x60W wash face	Effect	No function	0 ---9
			11 DMX value per effect	10 --- 99
			Jump change	100--- 149
			gradual change	150--- 255
			No Effect	0 --- 9
			Static Pattern -1	10 --- 19
			Static Pattern -2	20 --- 29
			Static Pattern -3	30 --- 39
			Static Pattern -4	40 --- 49
			Static Pattern -5	50 --- 59
			Static Pattern -6	60 --- 69

CH-38	6x60W wash face	Patterns	Static Pattern -7	70 --- 79
			Static Pattern -8	80 --- 89
			Static Pattern -9	90 --- 99
			Static Pattern -10	100--- 109
			Static Pattern -11	110--- 119
			Static Pattern -12	120--- 129
			Static Pattern -13	130--- 139
			Static Pattern -14	140--- 149
			Static Pattern -15	150--- 159
			Static Pattern -16	160--- 169
			Dynamic Pattern -1	170--- 179
			Dynamic Pattern -2	180--- 189
			Dynamic Pattern -3	190--- 199
		Patterns	Dynamic Pattern -4	200--- 209
			Dynamic Pattern -5	210--- 219
			Dynamic Pattern -6	220--- 229
			Dynamic Pattern-7	230--- 239
			Dynamic Pattern -8	240---255
		CH-39	Pattern change speed	
CH-40	Pattern change fade		0 --- 255	

CH-41		Pattern with Red color from dark to bright		0 --- 255
CH-42		Pattern with green color from dark to bright		
CH-43		Pattern with blue color from dark to bright		
CH-44		Pattern with white color from dark to bright		
CH-45	Strobe face	Dimmer	From dark to bright	0--255
CH-46		Strobe	Led on	0---3
			Synchronously strobe speed from slow to fast	4--203
			Random strobe	201--255
CH-47		Dimming of middle area white led from dark to bright		0--255
CH-48		Dimming of two side red led from dark to bright		0--255
CH-49	Strobe face	Dimming of two side green led from dark to bright		0--255
CH-50		Dimming of two side blue led from dark to bright		0--255
CH-51		Dynamic patterns	No function	0--9
			Dynamic pattern 1	10--19
			Dynamic pattern 2	20-29
	10 DMX value per pattern		
		Dynamic pattern 16	160--255	

CH-52		Patterns translation (work with CH 51)	Select pattern scene	0--255
CH-53		Pattern auto run speed (work with CH 51)	No function	0--9
			forward run fast to slow	10--132
			Reverse run slow to fast	133--255
CH-54	Reset		No function	0 ---79
			Reset	80---99
			No function	100---255

Model 2 - CH34

Channel	Function	Description	Value
CH-1	Pan	Pan adjustment	0 --- 255
CH-2	Pan fine	Pan adjustment	0 --- 255
CH-3	Tilt	Tilt adjustment	0 --- 255
CH-4	Tilt fine	Tilt adjustment	0 --- 255
CH-5	Pan/Tilt speed	from fast to slow	0 --- 255
		No function	0 --- 55

CH-6	Pan infinite rotation		Clockwise rotating from slow to fast	56 --- 155
			Anticlockwise rotating from slow to fast	156---255
CH-7	Tilt infinite rotation		No function	0 --- 55
			Clockwise rotating from slow to fast	56 --- 155
			Anticlockwise rotating from slow to fast	156---255
CH-8	6*60w wash face	Strobe	No function	0 --- 15
			from slow to fast	16 --- 214
			Random strobe	215---255
CH-9		Dimmer	From dark to bright	0 --- 255
CH-10	Dimmer Model		Model - 1	0 --- 49
			Model - 2	50 --- 99
			Model - 3	100--- 149

			Model - 4	150--- 255
CH-11	6*60w wash face	Zoom	Angle from big to small	0 --- 255
CH-12		Red	From dark to bright	0 --- 255
CH-13		Green		
CH-14		Blue		
CH-15		White		
CH-16		Static color		
			R 100%,G up,B0%	16----35
			R down,G 100%,B0%	36----55
			R 0%,G 100%,B up	56----75
			R 0%,G100%,B up	76----95
	R up,G0%,B100%		96----115	
	R 100%,G0%,B down		116----135	
	R 100%,G up,B up		136----155	
	R100%,G down,B100%		156----175	

CH-16	6*60w wash face	Static color	R100%,G 100%,B100%,W100%	176----195
			2800K	196----200
			3200K	201----205
			3500K	206----210
			4000K	211----215
			4500K	216----220
			5000K	221----225
			5500K	226----230
			6000K	231----235
			6500K	236----240
			7000K	241----245
			7500K	246----250
			8000K	251----255
		Effects	No function	0 ---- 9
			11 DMX value per effect	10 --- 99

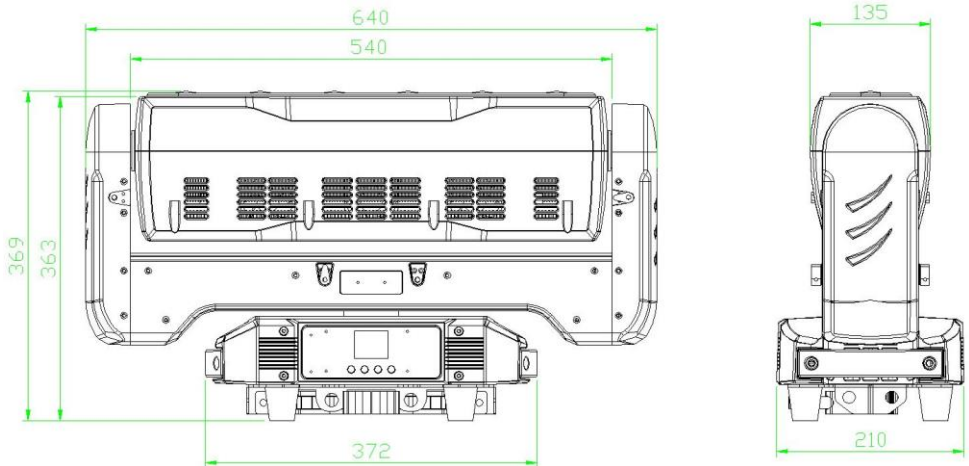
CH-17			Jump change	100 --- 149
			gradual change	150 --- 255
CH-18	6*60w wash face		No Effect	0 --- 9
			Static Pattern -1	10 --- 19
			Static Pattern -2	20 --- 29
			Static Pattern -3	30 --- 39
			Static Pattern -4	40 --- 49
			Static Pattern -5	50 --- 59
			Static Pattern -6	60 --- 69
			Static Pattern -7	70 --- 79
			Static Pattern -8	80 --- 89
			Static Pattern -9	90 --- 99
			Static Pattern -10	100--- 109
			Static Pattern -11	110--- 119
			Static Pattern -12	120--- 129
			Static Pattern -13	130--- 139
			Static Pattern -14	140--- 149
			Static Pattern -15	150--- 159
			Static Pattern -16	160--- 169
Dynamic Pattern -1	170--- 179			

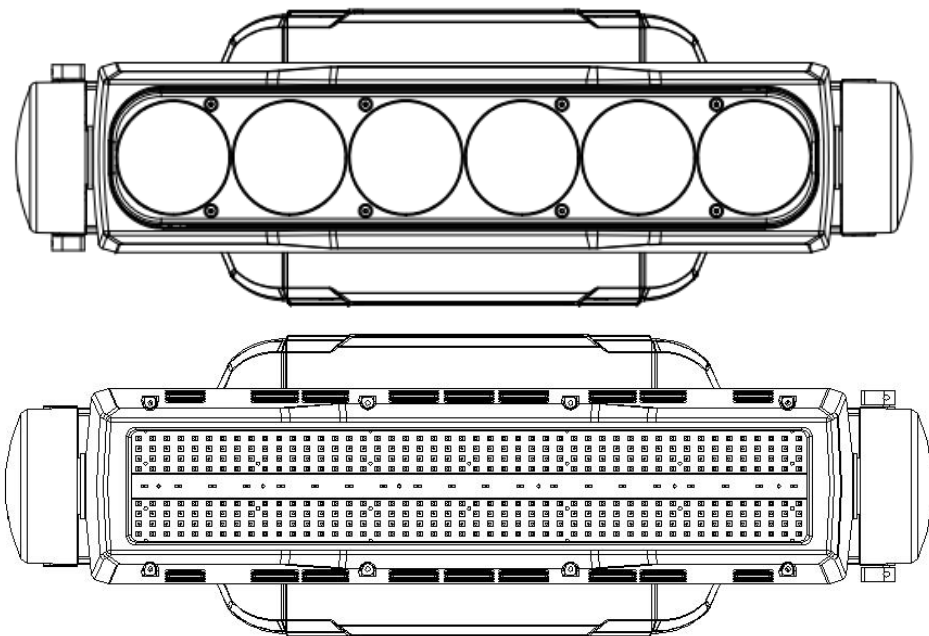
	6*60w face		Dynamic Pattern -2	180--- 189
			Dynamic Pattern -3	190--- 199
			Dynamic Pattern -4	200--- 209
			Dynamic Pattern -5	210--- 219
			Dynamic Pattern -6	220--- 229
			Dynamic Pattern -7	230---239
			Dynamic Pattern -8	240---255
CH-19		Pattern change speed		0 --- 255
CH-20		Pattern change fade		0 --- 255
CH-21		Pattern with Red from dark to bright		0 --- 255
CH-22		Pattern with Green from dark to bright		0 --- 255
CH-23		Pattern with Blue from dark to bright		0 --- 255
CH-24		Pattern with White from dark to bright		0 --- 255
CH-25		Dimmer	0-100% linear dimmer	0--255
CH-26		Strobe	Led on	0--3
	Synchronously strobe from slow to fast		4--203	

	Strobe face		Random strobe	204--255
CH-27			Middle white Led 0-100% dimmer	0--255
CH-28			Both side Red led 0-100% dimmer	0--255
CH-29			Both side Green led 0-100% dimmer	0--255
CH-30			Both side Blue led 0-100% dimmer	0--255
CH-31		Dynamic pattern		No function
			Dynamic pattern 1	10--19
			Dynamic pattern 2	20--29
			10 DMX value per pattern
			Dynamic pattern 15	150--159
			Dynamic pattern 16	160--255
CH-32	Strobe face	Pattern translation (work with CH31)	Select pattern scene	0--255

CH-33	Pattern auto run speed(w ork with CH31)	No function	0--9
		Forward run from fast to slow	10--132
		Reverse fun from slow to fast	133-255
CH-34	Reset	No function	0 --- 79
		Reset	80 --- 99
		No	100 --- 255

6. Shape





7. Trouble shooting

Following are a few common problems that may occur during operation. Here are some suggestions for easy troubleshooting:

A. The unit does not work, no light and the fan does not work

1. Check the connection of power and main fuse.
2. Measure the mains voltage on the main connector.
3. Check the power on LED.

B. Not responding to DMX controller

1. DMX LED should be on. If not, check DMX connectors, cables to see if link properly.
2. If the DMX LED is on and no response to the channel, check the address

settings and DMX polarity.

3. If you have intermittent DMX signal problems, check the pins on connectors or on PCB of the unit or the previous one.
4. Try to use another DMX controller.
5. Check if the DMX cables run near or run alongside to high voltage cables that may cause damage or interference to DMX interface circuit.

C. One of the channels is not working well

1. The stepper motor might be damaged or the cable connected to the PCB is broken.
2. The motor's drive IC on the PCB might be out of condition.