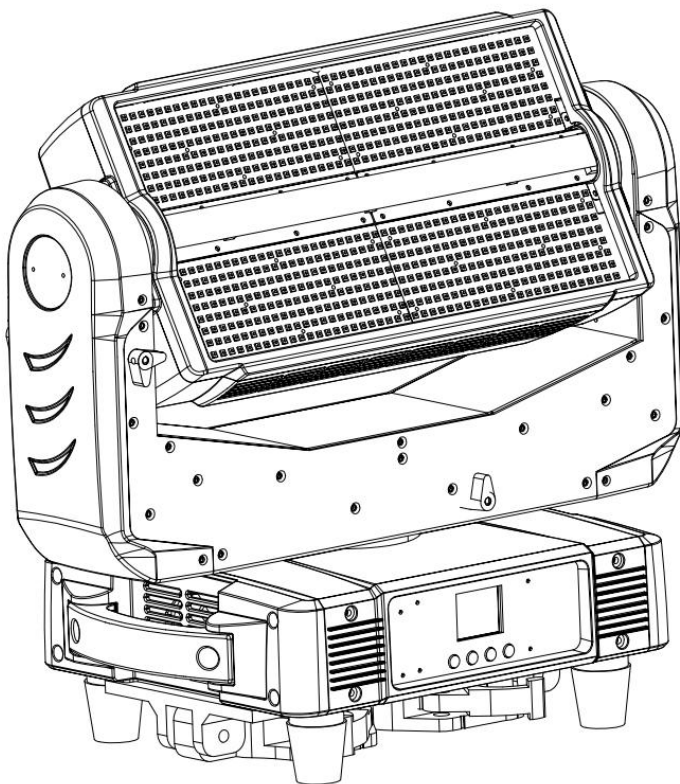


6200H

768 * 0.5W RGB 3in1; 96*10W White LED Strobe Light



User manual

Please read the instructions carefully before use

TABLE OF CONTENTS

1. Safety Instructions	3-4
2. Technical Specification	4-5
3. Lux Date.....	6
4. Display and Menu.....	6-8
5. DMX List	9-21
6. Product Size	21
7. Attention	22
8. Fixture Cleaning	22

statement

Fixtures should be fastened on the hooks with screws. Make sure the installation is secure to prevent chattering and slipping during operation. Also make sure that the structure of the connected luminaire can support the luminaire 10 times the weight. At the same time, when installing the lamps, they also use a safety rope to support the weight of the lamps by 12 times.

The installation of the equipment should be carried out by professionals, and it should also be installed in places where people can't reach them casually or where no one is free to pass by.

1. Safety Instructions

Please keep this User Guide for future consultation. If you sell the unit to another user, be sure that they also receive this instruction booklet.

Please keep this User Guide for future consultation. If you sell the unit to another user, be sure that they also receive this instruction booklet.

- Unpack and check carefully there is no transportation damage before using the unit.
- Before operating, ensure that the voltage and frequency of power supply match the power requirements of the unit.
- It's important to ground the yellow/green conductor to earth in order to avoid electric shock.
- The unit is for indoor use only. Use only in a dry location.
- The unit must be installed in a location with adequate ventilation, at least 50 cm from adjacent surfaces. Be sure that no ventilation slots are blocked.
- Disconnect main power before replacement or servicing.
- Make sure there are no flammable materials close to the unit while operating as it is fire hazard.
- Use safety cable when fixes this unit. Do not handle the unit by taking its head only, but always by taking its base.
- Maximum ambient temperature is T_a : 40°C. Do not operate it where the temperature is higher than this Unit surface temperature may reach up to 85°C. Do not touch the housing bare-hand during its operation. Turn off the power and allow about 15 minutes for the unit to cool down before replacing or serving.
- the event of serious operating problem, stop using the unit immediately. Never try to repair the unit by yourself. Repairs carried out by unskilled people can lead to damage or malfunction. Please contact the nearest authorized technical assistance center. Always use the same type spare parts.

- Do not touch any wire during operation as high voltage might be causing electric shock.

Warning:

- To prevent or reduce the risk of electrical shock or fire, do not expose the unit to rain or moisture.
- Do not open the unit within five minutes after switching off.
- The housing, the lenses, or the ultraviolet filter must be replaced if they are visibly damaged.

Caution:

There are no user serviceable parts inside the unit. Do not open the housing or attempt any repairs yourself. In the unlikely event your unit may require service, please contact your nearest dealer.

Installation:

The unit should be mounted via its screw holes on the bracket. Always ensure that the unit is firmly fixed to avoid vibration and slipping while operating. And make sure that the structure to which you are attaching the unit is secure and is able to support a weight of 10 times of the unit's weight. Also always use a safety cable that can hold 12 times of the weight of the unit when installing the fixture.

The equipment must be fixed by professionals. And it must be fixed at a place where is out of the touch of people.

2. Technical Specifications

Light source: 768*0.5w RGB 3-in1 LED ,96*10w white led (6000K)

- Lamp life: ≥50000 hours

- Input voltage: AC100-240V ,50-60Hz
- Full power :1200W,Power factor $PF \geq 0.95$
- Beam angle: 130°
- Color system: RGB 3-in-1 + White LED

Control

DMX Channel:10/15/25/29 CH

Control Modes: DMX512/Master-Slave/Auto Run/Music/RDM

Pan/Tilt

Pan/:540°, accuracy 2.11°/step, fine-tuning accuracy: 0.008°;

Tilt:270°, accuracy 0.86°/step, fine-tuning accuracy: 0.0034°;

Using magnetic coded reset system

Construction

Menu display: 1.8-inch TFT color display; Chinese and English can be switched at will, and the font can be reversed 180° display;

Data In/Out socket: 3-pin & 5-pin XLR sockets

Protection Rating: IP20

Working temperature: -10°C ~ 45°C

Electronic control technology:

Menu or console control lamp reset;

0-100% dimming;

Constant current drive mode;

Temperature sensor detection, intelligent adjustment of light source power;

Lamp information query;

Intelligent fan speed control

Effect configuration:

full optical domain dimming, 65536-level dimming accuracy;

Fast strobe 1~25Hz;

White light is divided into 4 areas to control, and color is divided into 12 areas to control;

Preset 56 kinds of effect macro function

Specification:

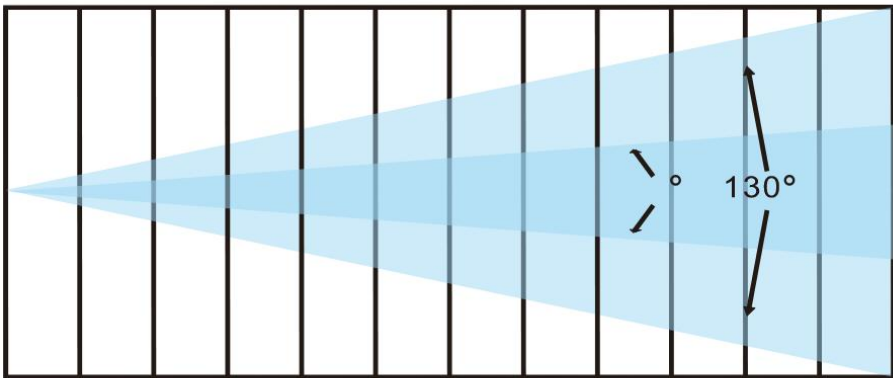
Dimension: 272×490×388mm; NW: 18.5kg

Carton package 1in1 size: 60*50*38cm
 GW: 22.5 Kgs

3. Lux Data

Beam Angle = 130°

R lux	1680	785
G lux	2950	1410
B lux	700	320
W lux	4580	2220
4in1 lux	9080	3880



Distance (m)		3	5	8
Spot diameter (m) 3.5°	0.55	0.72	1.03	
Spot diameter (m) 45°	2.70	4.10	6.50	

4. Display and Menu:



1-MENU 2-UP 3-DOWN 4-ENTER

Display:

MENU To select the programming functions
 DOWN To go backward in the selected functions
 UP To go forward in the selected functions
 ENTER To confirm the selected functions

Set DMX Address Code

- 1 Press **"Menu"** to "Set DMX Address", and press **"ENTER"** keys to enter into
- 2 Show "Set DMX Address DMX Address:**001**", Press the **"UP and DOWN"** keys to amended
- 3 Press **"ENTER"** keys to save and Exit, Press the **"MENU"** Keys does not save and Exit

Menu	1.Mic Sense	001 - 100	Sound sensitivity adjustment
	2.Language	English	Chinese
	3.No Signal	1. (Black Out) 2.(Hold)	
	4.Fan Set	1.Auto 2.Low 3.High	Fan settings

	5.Reset	Yes	No
	6.Default	1.Yes 2.NO	Reset
	7.Adjust	Pass Word: ****	
Pan		Change the value of Pan/Tilt to correct the angle	
	Tilt		
Address	Setting from 001 - 512		
Rever	Pan Invert	1.YES 2.NO	X forward and reverse settings
	Tilt Invert	1.YES 2.NO	Y forward and reverse settings
	Display	1.YES 2.NO	Display font forward and reverse settings
Information	1.CH Value		Each channel show CH value
	2.Temp ____ °C		Show the temperature of led board
	3.Soft V.XXX		Show the version number
Channel	10 channels		
	15 channels		
	25 channels		
	29 channels		
Mode	DMX 512		
	AUTO		Master/Alone
	SOUND		Master/Alone
Manual	Master	Pan:0--255	
		Tilt:0--255	
		Red: 0--255	

	Alone	Greed: 0--255	Manual Control
		Blue: 0--255	
		White: 0--255	
		Strobe: 0-255	

5.DMX Channel List

Model 1 - CH 10

Channel	Display	Function	Value
CH-1	Pan	0-540° Pan control	0 --- 255
CH-2	Tilt	0-205° Tilt control	0 --- 255
CH-3	Dimmer	Linear dimming dark to bright	0--255
CH-4	Strobe	On	0--3
		Synchro strobe speed From slow to fast (1HZ-25HZ)	4--203
		Random strobe	204--255
CH-5	Middle	White dimming	0--255
CH-6	Both sides	Red dimming dark to bright	0--255

CH-7	Both sides	Green dimming dark to bright	0--255
CH-8	Both sides	Blue dimming dark to bright	0--255
CH-9	Dimming mode	Model 1	0--49
		Model 2	50--99
		Model 3	100--149
CH-9	Dimming mode	Model 4	150--255
CH-10	Reset	NO	0-250
		Reset within 5s	251--255

Model 2 - CH 15

Channel	Display	Function	Value
CH-1	Middle	White dimming	0--255
CH-2	Middle	White fine-tuning	0--255
CH-3	Middle	Total dimming is linear dimming from dark to bright	0--255
CH-4	Middle	Total dimming, fine-tuning control	0--255

CH-5	Middle - Strobe	On	0--3
		Synchro strobe speed	4--203
CH-5	Middle - Strobe	From slow to fast (1HZ-25HZ)	
		Random strobe	204--255
CH-6	Both sides	Red dimming dark to bright	0--255
CH-7		Green dimming dark to bright	0--255
CH-8		Blue dimming dark to bright	0--255
CH-9		Total dimming is linear dimming from dark to bright	0--255
CH-10		On	0--3
		Synchro strobe speed From slow to fast (1HZ-25HZ)	4--203
	Random strobe	204--255	
CH-11	Pan	0-540° Pan control	0 --- 255
CH-12	Tilt	0-205° Tilt control	0 --- 255

CH-13	Dimming mode	Model 1	0--49
		Model 2	50--99
CH-13	Dimming mode	Model 3	100--149
		Model 4	150--255
CH-14	Strobe	On	0--3
		Synchro strobe speed From slow to fast (1HZ-25HZ)	4--203
		Random strobe	204--255
CH-15	Reset	NO	0-250
		Reset within 5s	251--255

Model 3 - CH 25

Channe	Display	Function	Value
I			
CH-1	Pan	0-540° Pan control	0 --- 255
CH-2	Tilt	0-205° Tilt control	0 --- 255

CH-3	Pan/Tilt speed	Speed from fast to slow	0--255
CH-4	Middle-dimming	linear dimming from dark to bright	0--255
CH-5	Middle-Strobe	On	0--3
	Middle-Strobe	Synchro strobe speed From slow to fast (1HZ-25HZ)	4--203
		Random strobe	204--255
CH-6	Middle-White	White dimming dark to bright	0--255
CH-7	Middle-Static pattern	No effect	0--16
		Monochrome pattern 1	17--33
		Monochrome pattern 2	34--50
	(One of 17)
		Monochrome pattern 13	221--237
		Monochrome pattern 14	238--255
CH-8	Middle-Dynamic	No effect	0--9

CH-8	pattern Middle-Dynamic pattern	Dynamic pattern 1	10--19
		Dynamic pattern 2	20--29
	(One of 10)
		Dynamic pattern 10	100--109
		Dynamic pattern 11	110--255
CH-9	Middle-dynamic pattern speed (with 8 CH)	No effect	0--9
		Forward, from fast to slow	10--132
		Go backward, from slow to fast	133--255
CH-10	Pattern effect	Pattern effect fade	0--255
CH-11	Both side-Dimmer	Linear dimming dark to bright	0--255
CH-12	Both side-Strobe	On	0--3
		Synchro strobe speed From slow to fast (1HZ-25HZ)	4--203
		Random strobe	204--255
CH-13	Both sides	Red dimming dark to bright	0--255

CH-14	Both sides	Green dimming dark to bright	0--255
CH-15	Both sides	Blue dimming dark to bright	0--255
CH-16	Both sides-dynamic pattern	No effect	0--9
		Dynamic pattern 1	10--17
		Dynamic pattern 2	18--25
	(One of 8)
		Dynamic pattern 30	242--249
		Dynamic pattern 31	250--255
CH-17	Both sides-Pattern translation (with 16 CH)	Select pattern scene	0--255
CH-18	Both sides-Pattern self-propelled speed (with 16 CH)	no effect	0--9
		Forward, from fast to slow	10--132
		Go backward, from slow to fast	133--255
CH-19	Both sides-background	Linear dimming dark to bright	0--255

	total dimming		
CH-20	Red dimming	Linear dimming dark to bright	0--255
CH-21	Green dimming	Linear dimming dark to bright	0--255
CH-22	Blue dimming	Linear dimming dark to bright	0--255
CH-23	Dimming mode	Model 1	0--49
		Model 2	50--99
		Model 3	100--149
		Model 4	150--255
CH-24	Strobe	On	0--3
		Synchro strobe speed	4--203
		From slow to fast (1HZ-25HZ)	
		Random strobe	204--255
CH-25	Reset	NO	0-250
		Reset within 5s	251--255

Model 4- CH 29

Channel	Display	Function	Value
CH-1	Pan	0-540° Pan control	0 --- 255
CH-2	Pan fine-tuning	Pan fine-tuning control	0 --- 255
CH-3	Tilt	0-205° Tilt control	0 --- 255
CH-4	Tilt fine-tuning	Tilt fine-tuning control	0 --- 255
CH-5	Pan/Tilt speed	Speed from fast to slow	0--255
CH-6	Middle-dimming	linear dimming from dark to bright	0--255
CH-7	Middle-fine-tuning	Dimming fine-tuning control	0--255
CH-8	Middle-Strobe	On	0--3
		Synchro strobe speed From slow to fast (1HZ-25HZ)	4--203
		Random strobe	204--255
CH-9	Middle-White	White dimming dark to bright	0--255
CH-10	Middle-White fine-tuning	White fine-tuning	0--255

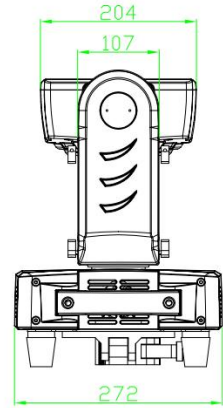
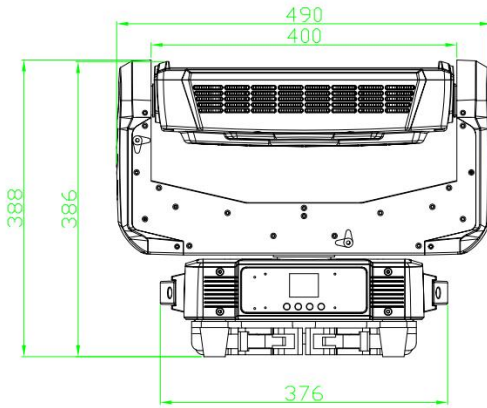
CH-11	Middle-Dimming mode	Model 1	0--49
		Model 2	50--99
		Model 3	100--149
		Model 4	150--255
CH-12	Middle-Static pattern	No effect	0--16
		Monochrome pattern 1	17--33
		Monochrome pattern 2	34--50
	(One of 17)
		Monochrome pattern 13	221--237
		Monochrome pattern 14	238--255
CH-13	Middle-Dynamic pattern	No effect	0--9
		Dynamic pattern 1	10--19
		Dynamic pattern 2	20--29
	(One of 10)
CH-13	Middle-Dynamic	Dynamic pattern 10	100--109

	pattern	Dynamic pattern 11	110--255
CH-14	Middle-dynamic pattern speed (with 13 CH)	No effect	0--9
		Forward, from fast to slow	10--132
		Go backward, from slow to fast	133--255
CH-15	Middle-Pattern effect	Pattern effect fade	0--255
CH-16	Both side-Dimmer	Linear dimming dark to bright	0--255
CH-17	Both side-Strobe	On	0--3
		Synchro strobe speed From slow to fast (1HZ-25HZ)	4--203
		Random strobe	204--255
CH-18	Both sides	Red dimming dark to bright	0--255
CH-19	Both sides	Green dimming dark to bright	0--255
CH-20	Both sides	Blue dimming dark to bright	0--255
		No effect	0--9

CH-21	Both sides-dynamic pattern	Dynamic pattern 1	10--17
		Dynamic pattern 2	18--25
	(One of 8)
		Dynamic pattern 30	242--249
		Dynamic pattern 31	250--255
CH-22	Both sides-Pattern translation (with 21 CH)	Select pattern scene	0--255
CH-23	Both sides-Pattern self-propelled speed (with 21 CH)	no effect	0--9
		Forward, from fast to slow	10--132
		Go backward, from slow to fast	133--255
CH-24	Both sides-background total dimming	Linear dimming dark to bright	0--255
CH-25	Red dimming	Linear dimming dark to bright	0--255
CH-26	Green dimming	Linear dimming dark to bright	0--255

CH-27	Blue dimming	Linear dimming dark to bright	0--255
CH-28	Strobe	On	0--3
		Synchro strobe speed From slow to fast (1HZ-25HZ)	4--203
		Random strobe	204--255
CH-29	Reset	NO	0-250
		Reset within 5s	251--255

6.products Size



7 Attention

1. When the lamp is lit after the lamp is powered on, the light emitted by the lamp bead should be avoided as much as possible.
2. When loading or unloading the lamp, be sure to cut off the main power supply connected to the device before you can open the cover on which the lamp bead is installed.

8 Fixture Cleaning

The outside of the lens must always be wiped so that the lighting effect is better. Wipe the frequency of the environment. Humidity, excessive smoke, and a particularly dirty environment can make the lens dusty.

- Use a soft cloth and special glass cleaner.
- Wipe the exterior of the lens at least every 30 days.
- Use vacuum cleaners or air guns inside the luminaire and clean it at least twice a year.