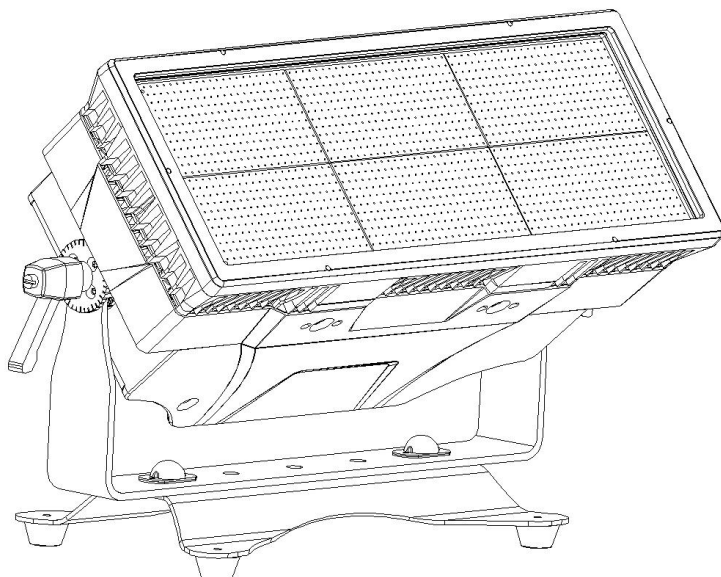


3113 New Version Strobe Light

1728 * 0.5W RGBW Waterproof Strobe Light



User manual

Please read the instructions carefully before use

TABLE OF CONTENTS

1. Safety Instructions	3-4
2. Technical Specification	4
3. DMX Link	5
4. Product Size	6
5. Menu	8
6. DMX Channel List	8-22
7. Attention	23
8. Fixture Cleaning	23

statement

Fixtures should be fastened on the hooks with screws. Make sure the installation is secure to prevent chattering and slipping during operation. Also make sure that the structure of the connected luminaire can support the luminaire 10 times the weight. At the same time, when installing the lamps, they also use a safety rope to support the weight of the lamps by 12 times.

The installation of the equipment should be carried out by professionals, and it should also be installed in places where people can't reach them casually or where no one is free to pass by.

1. Safety Instructions

Please keep this User Guide for future consultation. If you sell the unit to another user, be sure that they also receive this instruction booklet.

Unpack and check carefully there is no transportation damage before using the unit.

Before operating, ensure that the voltage and frequency of power supply match the power requirements of the unit.

It's important to ground the yellow/green conductor to earth in order to avoid electric shock.

The unit is for indoor use only. Use only in a dry location.

The unit must be installed in a location with adequate ventilation, at least 50cm from adjacent surfaces. Be sure that no ventilation slots are blocked.

Disconnect main power before replacement or servicing.

Make sure there are no flammable materials close to the unit while operating as it is fire hazard.

Use safety cable when fixes this unit. DO NOT handle the unit by taking its head only, but always by taking its base.

Maximum ambient temperature is T_a : 40°C. DO NOT operate it where the temperature is higher than this Unit surface temperature may reach up to 85°C. DO NOT touch the housing bare-hand during its operation. Turn off the power and allow about 15 minutes for the unit to cool down before replacing or serving.

In the event of serious operating problem, stop using the unit immediately. Never try to repair the unit by yourself. Repairs carried out by unskilled people can lead to damage or malfunction. Please contact the

nearest authorized technical assistance center. Always use the same type spare parts.

DO NOT touch any wire during operation as high voltage might be causing electric shock.

Warning:

To prevent or reduce the risk of electrical shock or fire, do not expose the unit to rain or moisture.

DO NOT open the unit within five minutes after switching off.

The housing, the lenses, or the ultraviolet filter must be replaced if they are visibly damaged.

Caution:

There are no user serviceable parts inside the unit. DO NOT open the housing or attempt any repairs yourself. In the unlikely event your unit may require service, please contact your nearest dealer.

Installation:

The unit should be mounted via its screw holes on the bracket. Always ensure that the unit is firmly fixed to avoid vibration and slipping while operating. And make sure that the structure to which you are attaching the unit is secure and is able to support a weight of 10 times of the unit's weight. Also always use a safety cable that can hold 12 times of the weight of the unit when installing the fixture.

The equipment must be fixed by professionals. And it must be fixed at a place where is out of the touch of people.

2. Technical Specifications

Light source: 1728 RGBW Taiwan light macro LED

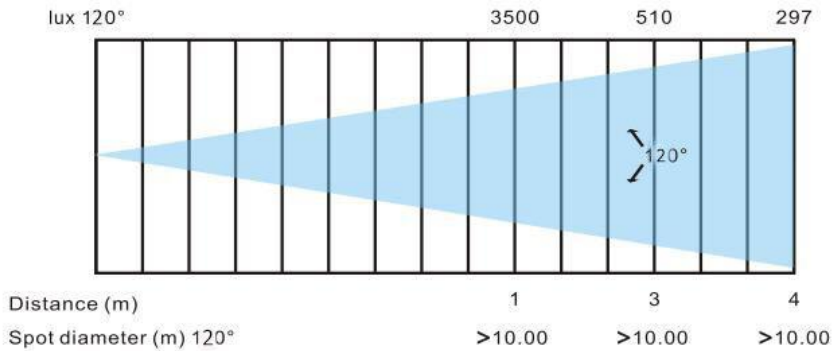
- Lamp life: ≥50000 hours
- Input voltage: AC100-250V ,50-60Hz
- Full power 650w flash power 1500w
- Beam angle: 120°
- Strobe: 0-30 Hz
- Control Mode: DMX512 / Self-propelled / Master-slave
- DMX channels: 3/4/6/7/8/14/36/48/58 channels (built-in program)
- IP rate: IP65
- Display: LCD display, switch between Chinese and English, can be rotated 180 degrees
- Power socket: 3-pin waterproof PowerCon in/out
- Signal input/output: 3--pin waterproof signal line
- Network socket: waterproof network socket
- 4pcs fans run speed adjust according to LED temperature
- 48 zones control effect, surface light, backlight effect
- Smooth dimming, no jitter , lamp beads temperature control protection, low noise.
- Product size: 465*176*254mm
- Carton size: 535*250*320 cm (1pc/ctn)
- Weight: 14kg

Accessories

- Signal line: 3-pin 1 piece
- Power cord: 1 piece
- Chinese/English manual: 1 piece

3. Lux Date

Beam Angle = 120°



4.DMX Link:

Pin1: Ground wire pin2: Negative electrode pin3: Positive electrode



Figure 1

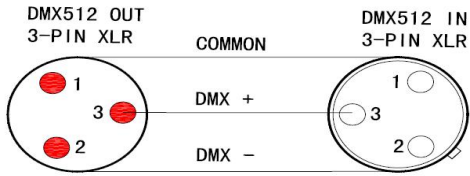
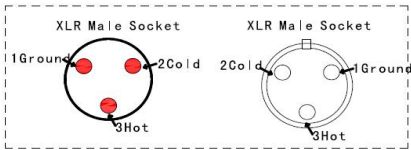


Figure2



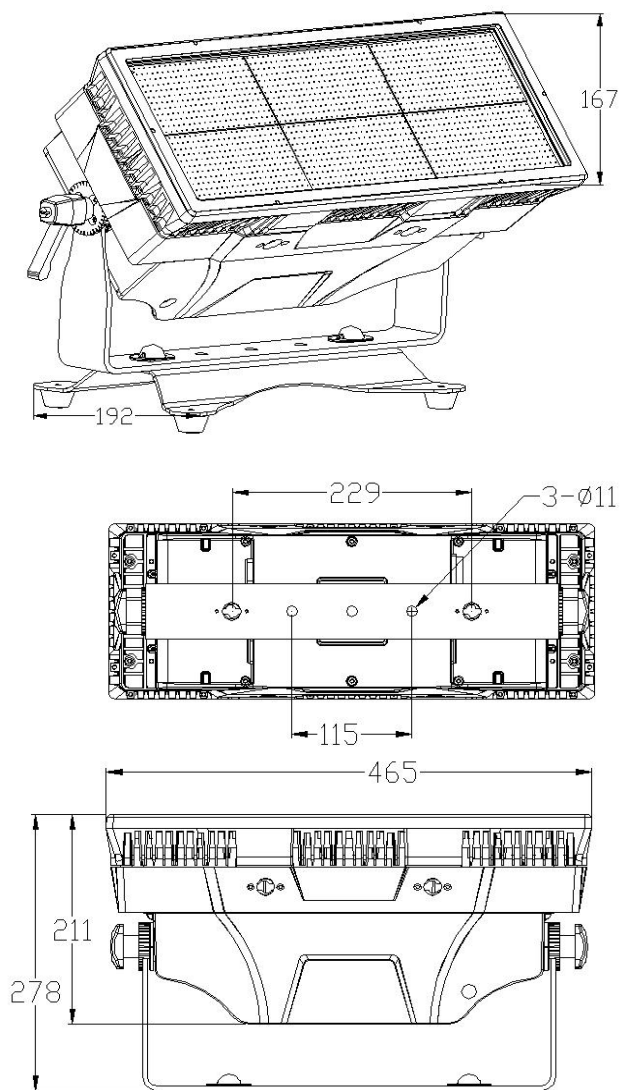
XLR Pin Configuration

pin1=Ground

pin2=Data Compliment (negative)

pin3=Data true (positive)

5.Products Size:



6.Menu:



MENU



UP



DOWN



ENTER

7.DMX Address :

- 1 Press "Menu" to "Set DMX Address" and press "ENTER" to enter;
- 2 Display "Set DMX Address DMX Address:001", press "UP and DOWN" key to modify;
- 3 Press "ENTER" key to save and exit, press "MENU" key to not save and exit.

Address	001-512		
RUN	Show1	Show Speed	0-255
	Show2		
	Show3		
	Show4		
	Show5		
	Show6		
	Show7		
	Show8		
	Show9		
	Show10		
	Show11		
	Show12		

RUN	Show13	Show Speed	0-255
	Show14		
	Show15		
	Show16		
	Show17		
	Show18		
Mode	3CH	3CH	
	4CH_1	4CH1	
	4CH_2	4CH2	
	6CH	6CH	
	7CH	7CH	
	8CH	8CH	
	14CH	14CH	
	36CH	36CH	
	48CH	48CH	
	58CH	58CH	
TEST	ALL		
SET	Back Light	ON/10S/20S/30S(/10S/20S/30S)	

8.DMX Channel List:

3CH	Function	Number	Description
1	Red-	0-255	0-100%
2	Green-	0-255	0-100%
3	Blue-	0-255	0-100%

4CH_1	Function	Number	Description
1	Red-	0-255	0-100%
2	Green-	0-255	0-100%
3	Blue-	0-255	0-100%
4	White-	0-255	0-100%

4CH_2	Function	Number	Description
1	Dimmer-	0-255	0-100%
2	Strobe Duration	0-255	Strobe Duration(15-990ms)
3	Strobe-	0-10	No Effect
		11-255	Strobe slow to fast
4	Special Effects	0-5	No Effect

4	Special Effects	6-42	Ramp up
		43-85	Ramp down
		86-128	Ramp up-down
		129-171	Ramp down
		172-214	Lightning
		215-255	Spikes

6CH	Function	Number	Description
1	Dimmer-	0-255	0-100%
2	Red-	0-255	0-100%
3	Green-	0-255	0-100%
4	Blue-	0-255	0-100%
5	White-	0-255	0-100%
6	Strobe-	0-10	No Effect
		11-255	Strobe slow to fast

7CH	Function	Number	Description
1	Dimmer-	0-255	0-100%
2	Red-	0-255	0-100%
3	Green-	0-255	0-100%
4	Blue-	0-255	0-100%
5	White-	0-255	0-100%
6	Strobe Duration	0-255	Strobe Duration(15-990ms)
7	Strobe-	0-10	No Effect
		11-255	Strobe slow to fast

8CH	Function	Number	Description
1	Dimmer-	0-255	0-100%
2	Red-	0-255	0-100%
3	Green-	0-255	0-100%
4	Blue-	0-255	0-100%
5	White-	0-255	0-100%
6	Strobe Duration	0-255	Strobe Duration(15-990ms)

7	Strobe-	0-10	No Effect
		11-255	Strobe slow to fast
8	Special Effects	0-5	No Effect
		6-42	Ramp up
		43-85	Ramp down
		86-128	Ramp up-down
		129-171	Ramp down
		172-214	Lightning
		215-255	Spikes

14CH	Function	Number	Description
1	Dimmer-	0-255	0-100%
2	Red-	0-255	0-100%
3	Green-	0-255	0-100%
4	Blue-	0-255	0-100%
5	White-	0-255	0-100%
6	Strobe-	0-10	No Effect
		11-255	Strobe slow to fast

7	Color Macro	0-10	No Function
		11-30	R 100%,G 0-100%,B 0
		31-50	R 100%-0,G 100%, B,0
		51-70	R 0,G 100%-0,B 0-100%
		71-90	R 0,G 100%-0,B 100%
		91-110	R 100%, G 0, B 100%
		111-130	R 100%,G 0, B 100%-0
		131-150	R 100% ,G 0-100% ,B 0-100%
		151-170	R 100%-0 , G 100%-0 , B 100%
		171-200	R 100%,G 100%, B 100%
		201-205	Color 1
		206-210	Color 2
		211-215	Color 3
		216-220	Color 4
		221-225	Color 5
		226-230	Color 6
231-235	Color 7		

7	Color Macro	236-240	Color 8
		241-245	Color 9
		246-250	Color 10
		251-255	Color 11
8	Foreground	0-10	No Function
		11-255	Foreground Color
9	Foreground Dimmer	0-255	0-100%
10	Background	0-10	No Function
		11-255	Background Color
11	Background Dimmer	0-255	0-100%
12	Show-	0-10	No Function
		11-24	Show1
		25-38	Show2
		39-51	Show3
		52-65	Show4
		66-78	Show5
		79-92	Show6

12	Show-	93-105	Show7
		106-119	Show8
		120-133	Show9
		134-146	Show10
		147-160	Show11
		161-173	Show12
		174-187	Show13
		188-200	Show14
		201-214	Show15
		215-227	Show16
		228-241	Show17
		242-255	Show18
13	Show Speed	0-255	Show Speed Slow to Fast
14	Dimmer Speed Mode	0-51	Preset dimmer speed from display menu
		52-101	Dimmer speed mode off
		102-152	Dimmer speed mode 1(fast speed)

36CH	Function	Number	Description
1	Red1-	0-255	0-100%
2	Green1-	0-255	0-100%
3	Blue1-	0-255	0-100%
4	Red2-	0-255	0-100%
5	Green2-	0-255	0-100%
6	Blue2-	0-255	0-100%
...	...		
34	Red12-	0-255	0-100%
35	Green12-	0-255	0-100%
36	Blue12-	0-255	0-100%

48CH	Function	Number	Description
1	Red1-	0-255	0-100%
2	Green1-	0-255	0-100%
3	Blue1-	0-255	0-100%
4	White1-	0-255	0-100%
5	Red2-	0-255	0-100%
6	Green2-	0-255	0-100%
7	Blue2-	0-255	0-100%
8	White2-	0-255	0-100%
...	...		
45	Red12-	0-255	0-100%
46	Green12-	0-255	0-100%

47	Blue12-	0-255	0-100%
48	White12-	0-255	0-100%
58CH	Function	Number	Description
1	Red1-	0-255	0-100%
2	Green1-	0-255	0-100%
3	Blue1-	0-255	0-100%
4	White1-	0-255	0-100%
5	Red2-	0-255	0-100%
6	Green2-	0-255	0-100%
7	Blue2-	0-255	0-100%
8	White2-	0-255	0-100%
...	...		
45	Red12-	0-255	0-100%
46	Green12-	0-255	0-100%
47	Blue12-	0-255	0-100%

48	White12-	0-255	0-100%
49	Color Macro	0-10	No Function
		11-30	R 100%,G 0-100%,B 0
		31-50	R 100%-0,G 100%, B,0
		51-70	R 0,G 100%-0,B 0-100%
		71-90	R 0,G 100%-0,B 100%
		91-110	R 100%, G 0, B 100%
		111-130	R 100%,G 0, B 100%-0
		131-150	R 100% ,G 0-100% ,B 0-100%
		151-170	R 100%-0 , G 100%-0 , B 100%
		171-200	R 100%,G 100%, B 100%
		201-205	Color 1
		206-210	Color 2
		211-215	Color 3
		216-220	Color 4
		221-225	Color 5
226-230	Color 6		

49	Color Macro	231-235	Color 7
		236-240	Color 8
		241-245	Color 9
		246-250	Color 10
		251-255	Color 11
50	Foreground	0-10	No Function
		11-255	Foreground Color
51	Foreground Dimmer	0-255	0-100%
52	Background	0-10	No Function
		11-255	Background Color
53	Background Dimmer	0-255	0-100%
54	Show-	0-10	No Function
		11-24	Show1
		25-38	Show2
		39-51	Show3
		52-65	Show4
		66-78	Show5

54	Show-	79-92	Show6
		93-105	Show7
		106-119	Show8
		120-133	Show9
		134-146	Show10
		147-160	Show11
		161-173	Show12
		174-187	Show13
		188-200	Show14
		201-214	Show15
		215-227	Show16
		228-241	Show17
		242-255	Show18
55	Show Speed	0-255	Show Speed Slow to Fast
56	Dimmer-	0-255	0-100%
57	Strobe-	0-10	No Effect
		11-255	Strobe slow to fast
58	Dimmer Speed Mode	0-51	Preset dimmer speed from display menu
		52-101	Dimmer speed mode off
		102-152	Dimmer speed mode 1 (fast speed)
		153-203	Dimmer speed mode 2 (middle speed)
		204-255	Dimmer speed mode 3 (slow speed)

9. Attention:

1. When the lamp is lit after the lamp is powered on, the light emitted by the lamp bead should be avoided as much as possible.
2. When loading or unloading the lamp, be sure to cut off the main power supply connected to the device before you can open the cover on which the lamp bead is installed.

10. Fixture Cleaning

The outside of the lens must always be wiped so that the lighting effect is better. Wipe the frequency of the environment. Humidity, excessive smoke, and a particularly dirty environment can make the lens dusty.

- Use a soft cloth and special glass cleaner.
- Wipe the exterior of the lens at least every 30 days.
- Use vacuum cleaners or air guns inside the luminaire and clean it at least twice a year.