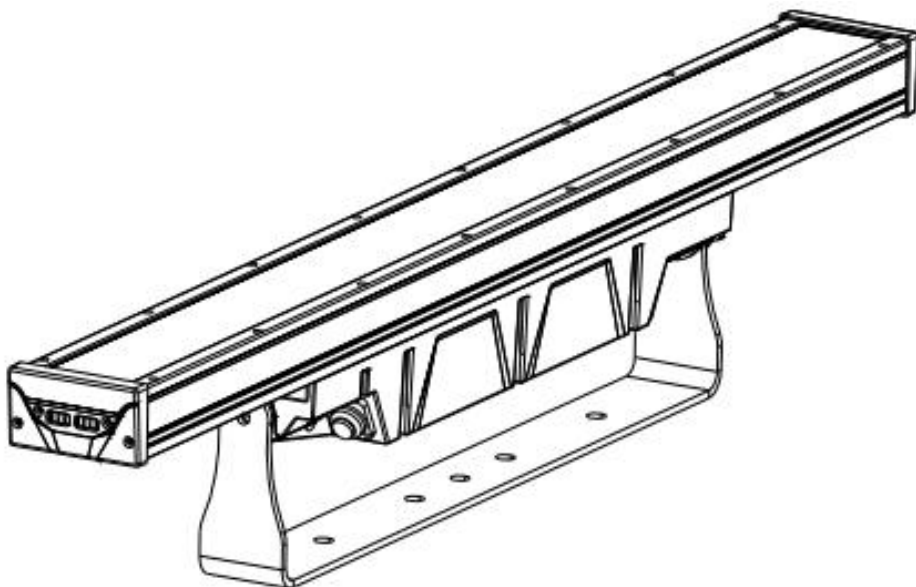


# 2720

---

## IP65 LED Strobe wash bar light



User manual

Please read the instructions carefully before use

# TABLE OF CONTENTS

1. Safety Instructions .....	1 - 3
2. Technical Specifications.....	5
3. How To Control The Unit.....	6
4. DMX Channel List.....	16
5. Shape.....	18
6. Trouble shooting.....	19
7. Fixture Cleaning.....	20

## statement

The product has well capability and intact packing when leave factory. All of the user should comply with warning item and manual, any misuse cause of the damages are not included in our guarantee, and also can not be responsible for any malfunction & problem owing to ignore the manual.

# 1. Safety Instructions

Please keep this User Guide for future consultation. If you sell the unit to another user, be sure that they also receive this instruction booklet.

Unpack and check carefully there is no transportation damage before using the unit.

Before operating, ensure that the voltage and frequency of power supply match the power requirements of the unit.

It's important to ground the yellow/green conductor to earth in order to avoid electric shock.

The unit is for indoor use only. Use only in a dry location.

The unit must be installed in a location with adequate ventilation, at least 50cm from adjacent surfaces. Be sure that no ventilation slots are blocked.

Disconnect main power before replacement or servicing.

Make sure there are no flammable materials close to the unit while operating as it is fire hazard.

Use safety cable when fixes this unit. DO NOT handle the unit by taking its head only, but always by taking its base.

Maximum ambient temperature is  $T_a$ : 40°C. DO NOT operate it where the temperature is higher than this Unit surface temperature may reach up to 85°C. DO NOT touch the housing bare-hand during its operation. Turn off the power and allow about 15 minutes for the unit to cool down before replacing or serving.

the event of serious operating problem, stop using the unit immediately. Never try to repair the unit by yourself. Repairs carried out by unskilled people can lead to damage or malfunction. Please contact the nearest authorized technical assistance center. Always use the same type spare parts.

⚠ DO NOT touch any wire during operation as high voltage might be causing electric shock.

### **Warning:**

⚠ To prevent or reduce the risk of electrical shock or fire, do not expose the unit to rain or moisture.

⚠ DO NOT open the unit within five minutes after switching off.

⚠ The housing, the lenses, or the ultraviolet filter must be replaced if they are visibly damaged.

### **Caution:**

There are no user serviceable parts inside the unit. DO NOT open the housing or attempt any repairs yourself. In the unlikely event your unit may require service, please contact your nearest dealer.

### **Installation:**

The unit should be mounted via its screw holes on the bracket. Always ensure that the unit is firmly fixed to avoid vibration and slipping while operating. And make sure that the structure to which you are attaching the unit is secure and is able to support a weight of 10 times of the unit's weight. Also always use a safety cable that can hold 12 times of the weight of the unit when installing the fixture.

The equipment must be fixed by professionals. And it must be fixed at a place where is out of the touch of people.

## 2. Technical Specifications

**Light Sources:** 960\*0.2W 4IN1 RGBW LED

Beam Angle:120°

Power Consumption: 210w

Power Voltage: AC 100-260V, 50/60Hz

### Control

DMX Channel:16/44 Channels

Control Modes: DMX512/Auto Run/Music

### Construction

Display:180° reversible LCD Display

Data In/Out socket: 3-pin XLR sockets

Power Socket: Waterproof Powercon in/out

Protection Rating: IP65

Net Weight:6 kgs

### Features

Dimmer:0~100% smooth dimming ;two dimmer model in optional( delay or without delay)

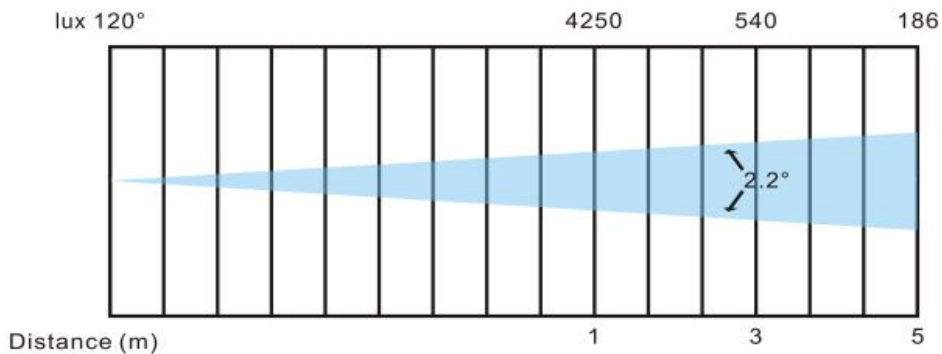
8-Zone controlled

Strobe effects with high brightness

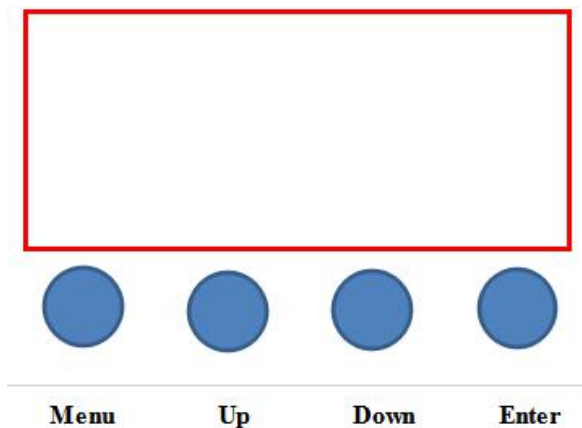
Led temperature protection & Fan run speed automatic based on the head temperature.

### 3. Lux Date

Beam Angle =  $120^\circ$



### 4. Display & Menu



## Display:

MENU	To select the programming functions
DOWN	To go backward in the selected functions
UP	To go forward in the selected functions
ENTER	To confirm the selected functions

## Set DMX Address Code

- 1 Press **"Menu"** to "Set DMX Address",and press**"ENTER"** keys to enter into
- 2 Show "Set DMX Address DMX Address:**001**",Press the **"UP and DOWN"** keys to amended
- 3 Press **"ENTER"**keys to save and Exit,Press the**"MENU"**Keys does not save and Exit

Menu	Mic Sense	001 - 100,Sound sensitivity adjustment	
	Language	English	Chinese
	Reset	Yes	No
	Default	Yes	No
	Adjust	Pass Word:up+down+up+down	
		Red	0 - 255
		Green	0 - 255
		Blue	0 - 255
		White	0 - 255
Address	Setting from 001 - 512		

Reverse	Forward or reversed setting	
Channel	44 channels	
	16 channels	
Inform	1.CH Value	Each channel show CH value
	2.Temp ____ °C	Show the temperature of led board
	3.Soft V1.1	Show the version number
Mode	DMX 512	
	AUTO	
	SOUND	

## 5.DMX Channel List

### Model 1 - CH44

Channel	Display	Function	Value
CH-1	Dimming	From dark to bright	0 --- 255
CH-2	Dimming Model	Model - 1	0 --- 49
		Model - 2	50 --- 99
		Model - 3	100--- 149



		Model - 4	150--- 255
CH-3	Strobe	No	0 --- 15
		from slow to fast	16 --- 165
		flashes strobe slow to fast	166---215
		Random stroboscopic	215---255
CH-4	Red - 1	From dark to bright	0 --- 255
CH-5	Green - 1		
CH-6	Blue - 1		
CH-7	White - 1		
CH-8	Red - 2	From dark to bright	0 --- 255
CH-9	Green - 2		
CH-10	Blue - 2		
CH-11	White - 2		
CH-12	Red - 3		

CH-13	Green - 3		
CH-14	Blue - 3		
CH-15	White - 3		
CH-16	Red - 4		
CH-17	Green - 4		
CH-18	Blue - 4		
CH-19	White - 4		
CH-20	Red - 5		
CH-21	Green - 5		
CH-22	Blue - 5		
CH-23	White - 5		
CH-24	Red - 6		
CH-25	Green - 6		
CH-26	Blue - 6		

CH-27	White - 6	From dark to bright	0 --- 255
CH-28	Red - 7		
CH-29	Green - 7		
CH-30	Blue - 7		
CH-31	White - 7		
CH-32	Red - 8		
CH-33	Green - 8		
CH-34	Blue - 8		
CH-35	White - 8	From dark to bright	0 --- 255
		No	0----15
		R 100%,G up,B0%	16----35
		R down,G 100%,B0%	36----55
		R 0%,G 100%,B up	56----75
		R 0%,G100%,B up	76----95

CH-36	Static color	R up,G0%,B100%	96----115
		R 100%,G0%,B down	116----135
		R 100%,G up,B up	136----155
		R100%,G down,B100%	156----175
		R100%,G 100%,B100%,W100%	176----195
		2800K	196----200
		3200K	201----205
		3500K	206----210
		4000K	211----215
		4500K	216----220
		5000K	221----225
CH-36	Static color	5500K	226----230
		6000K	231----235
		6500K	236----240

		7000K	241----245
		7500K	246----250
		8000K	251----255
CH-37	Effects	No	0 ---- 9
		5 numbers 1 effect	10 --- 49
		Dynamic effect 1 fast to slow	59 --- 89
		Dynamic effect 2 fast to slow	90 --- 129
		Dynamic effect 3 fast to slow	130--- 169
CH-37	Effects	Dynamic effect 4 fast to slow	170 --- 209
		Dynamic effect 5 fast to slow	210 --- 255
		No	

CH-38	Zone	Static Zone -1	0 --- 4
		Static Zone -2	5 --- 9
		Static Zone -3	10 --- 14
		Static Zone -4	15 --- 19
		Static Zone -5	20 --- 24
		Static Zone -6	25 --- 29
		Static Zone -7	30 --- 34
		Static Zone -8	35 --- 39
		Static Zone -9	40 --- 44
		Static Zone -10	45 --- 49
		Static Zone -11	50 --- 54
		Static Zone -12	55 --- 59
		Static Zone -13	60 --- 64
		Static Zone -14	65 --- 69

CH-38	Zone	Static Zone -15	70 --- 74
		Static Zone -16	75 --- 79
		Static Zone -17	80--- 84
		Static Zone -18	85 --- 89
		Static Zone -19	90 --- 94
		Static Zone -20	95 --- 99
		Static Zone -21	100 --- 104
		Static Zone -22	105--- 109
		Static Zone -23	110 --- 114
		Static Zone -24	115 --- 119
		Static Zone -25	120 --- 124
		Static Zone -26	125 --- 129
		Static Zone -27	130 --- 134
Static Zone -28	135 --- 139		

CH-38	Zone	Dynamic Zone -1	140 --- 149
		Dynamic Zone -2	150 --- 159
		Dynamic Zone -3	160 --- 169
		Dynamic Zone -4	170 --- 179
		Dynamic Zone -5	180 --- 189
		Dynamic Zone -6	190 --- 199
		Dynamic Zone -7	200 --- 209
		Dynamic Zone -8	210 --- 219
CH-38	Zone	Dynamic Zone -9	220 --- 255
CH-39	Zone change	From dark to bright	0 --- 255
CH-40	Zone change fade		
CH-41	Color of Zone Red		
CH-42	Color of Zone Green		
CH-43	Color of Zone		



	Blue		
CH-44	Color of Zone White		

## Model 2 - CH16

Channel	Display	Function	Value
CH-1	Dimming	From dark to bright	0 --- 255
CH-2	Dimming Model	Model - 1	0 --- 49
		Model - 2	50 --- 99
		Model - 3	100--- 149

		Model - 4	150--- 255
CH-3	Strobe	No	0 --- 15
		from slow to fast	16 --- 165
		flashes strobe slow to fast	166---215
		Random stroboscopic	215---255
CH-4	Red	From dark to bright	0 --- 255
CH-5	Green		
CH-6	Blue		
CH-7	White		
		No	0---15
		R 100%,G up,B0%	16---35
		R down,G 100%,B0%	36---55
		R 0%,G 100%,B up	56---75
		R 0%,G100%,B up	76---95

CH-8	Static color	R up,G0%,B100%	96----115
		R 100%,G0%,B down	116----135
		R 100%,G up,B up	136----155
		R100%,G down,B100%	156----175
		R100%,G 100%,B100%,W100%	176----195
		2800K	196----200
		3200K	201----205
		3500K	206----210
		4000K	211----215
		4500K	216----220
		5000K	221----225
		5500K	226----230
		CH-8	Static color
6500K	236----240		

		7000K	241----245
		7500K	246----250
		8000K	251----255
CH-9	Effects	No	0 ---- 9
		5 numbers 1 effect	10 --- 49
		Dynamic effect 1 fast to slow	59 --- 89
		Dynamic effect 2 fast to slow	90 --- 129
		Dynamic effect 3 fast to slow	130--- 169
CH-9	Effects	Dynamic effect 4 fast to slow	170 --- 209
		Dynamic effect 5 fast to slow	210 --- 255
		No	

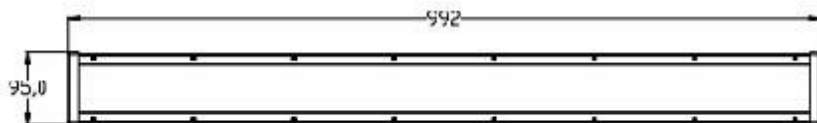
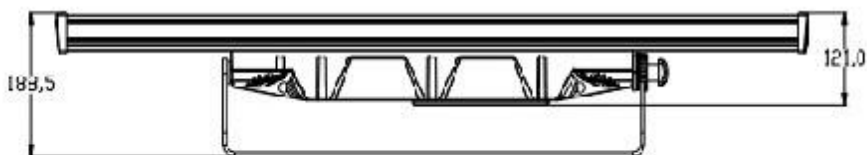
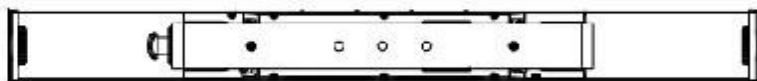
CH-10	Zone	Static Zone -1	0 --- 4
		Static Zone -2	5 --- 9
		Static Zone -3	10 --- 14
		Static Zone -4	15 --- 19
		Static Zone -5	20 --- 24
		Static Zone -6	25 --- 29
		Static Zone -7	30 --- 34
		Static Zone -8	35 --- 39
		Static Zone -9	40 --- 44
		Static Zone -10	45 --- 49
		Static Zone -11	50 --- 54
		Static Zone -12	55 --- 59
		Static Zone -13	60 --- 64
		Static Zone -14	65 --- 69

CH-10	Zone	Static Zone -15	70 --- 74
		Static Zone -16	75 --- 79
		Static Zone -17	80--- 84
		Static Zone -18	85 --- 89
		Static Zone -19	90 --- 94
		Static Zone -20	95 --- 99
		Static Zone -21	100 --- 104
		Static Zone -22	105--- 109
		Static Zone -23	110 --- 114
		Static Zone -24	115 --- 119
		Static Zone -25	120 --- 124
		Static Zone -26	125 --- 129
		Static Zone -27	130 --- 134
CH-10	Zone	Static Zone -28	135 --- 139

		Dynamic Zone -1	140 --- 149
		Dynamic Zone -2	150 --- 159
		Dynamic Zone -3	160 --- 169
		Dynamic Zone -4	170 --- 179
		Dynamic Zone -5	180 --- 189
		Dynamic Zone -6	190 --- 199
		Dynamic Zone -7	200 --- 209
		Dynamic Zone -8	210 --- 219
CH-38	Zone	Dynamic Zone -9	220 --- 255
CH-11	Zone change	From dark to bright	0 --- 255
CH-12	Zone change fade		
CH-13	Color of Zone Red		
CH-14	Color of Zone Green		
CH-15	Color of Zone		

	Blue		
CH-16	Color of Zone White		

## 6. Shape





## 7. Trouble shooting

Following are a few common problems that may occur during operation. Here are some suggestions for easy troubleshooting:

### **A. The unit does not work, no light and the fan does not work**

1. Check the connection of power and main fuse.
2. Measure the mains voltage on the main connector.
3. Check the power on LED.

### **B. Not responding to DMX controller**

1. DMX LED should be on. If not, check DMX connectors, cables to see if link properly.
2. If the DMX LED is on and no response to the channel, check the address settings and DMX polarity.
3. If you have intermittent DMX signal problems, check the pins on connectors or on PCB of the unit or the previous one.
4. Try to use another DMX controller.
5. Check if the DMX cables run near or run alongside to high voltage cables that may cause damage or interference to DMX interface circuit.

### **C. One of the channels is not working well**

1. The stepper motor might be damaged or the cable connected to the PCB is broken.
2. The motor's drive IC on the PCB might be out of condition.

## 8. Fixture Cleaning

The cleaning of internal and external optical lenses and/or mirrors must be carried out periodically to optimize light output. Cleaning frequency depends on the environment in which the fixture operates: damp, smoky or particularly dirty surrounding can cause greater accumulation of dirt on the unit's optics.

- **Clean with soft cloth using normal glass cleaning fluid.**
- **Always dry the parts carefully.**
- **Clean the external optics at least every 20 days. Clean the internal optics at least every 30/60 days.**